



BICYCLE OWNER'S MANUAL



LTe



TABLE OF CONTENTS

BRAND OVERVIEW	03	WARRANTY	32
FRAME FEATURES	04	APPENDIX A. ASTM DESIGNATION	33
GEOMETRY	05	APPENDIX B. USA DECLARATION	34
FRAME STANDARDS	06	APPENDIX C. EU DECLARATION	35
SETUP	07	APPENDIX D. UK DECLARATION	36
MAINTENANCE	10		
FRAME ASSEMBLY	11		
E-COMPONENT ASSEMBLY	14		
BEARING PRESS ASSEMBLY	18		
CABLE ROUTING INSTRUCTIONS	21		
DROPPER POST INSERTION GUIDE	24		
EXPLODED VIEW	25		
ASSEMBLY BILL OF MATERIAL	27		
REBUILD KITS	29		
ADDITIONAL INFORMATION	31		

CONGRATULATIONS ON YOUR PURCHASE OF A NEW YETI.

We are confident your new bicycle will exceed your expectations for performance, ride-quality, and value. Each frameset and component has been custom specified and designed to enhance your riding experience. Whether you are a beginner cyclist or a seasoned pro, your Yeti bicycle will provide endless hours of two-wheeled fun.

This model specific manual is designed to be used in conjunction with the general Yeti Electric Bike Owner's Manual and the manuals supplied by the suspension manufacturers. If you did not receive the Yeti Electric Bike Owner's Manual or the manual provided by the suspension manufacturer, download the materials off the Internet, or contact your local dealer. Bicycling can be a hazardous activity even under the best of circumstances. Proper maintenance of your bicycle is your responsibility and when done properly helps reduce the risk of injury and damage to your bicycle. The LTe is made specifically for off-road use only.

WARNING: Make sure you review and understand the warnings, instructions, and content of this manual and accompanying manuals for your bicycle.

WARNING: Technological advances have made bicycles and bicycle components more complex and the pace of innovation is increasing. It is impossible for this manual or the accompanying manuals to provide all the information required to properly repair and/or maintain your bicycle. In order to help minimize the chances of an injury, it is critical for you to have work performed by an authorized Yeti retailer.

WARNING: Mountain biking is an inherently dangerous activity. The user frequently performs "Unsafe Maneuvers," so be aware, and make sure you have the requisite skills to operate a mountain bike. This risk is assumed by the user.

This manual outlines basic setup and maintenance recommendations of your new Yeti. Because it is impossible to anticipate every situation or condition that may occur during the assembly, setup, and maintenance of your bicycle, Yeti recommends that all service and repairs be performed by your local authorized Yeti Dealer.

This manual contains many "Warnings" and "Cautions" concerning the consequences of failure to maintain or inspect your bicycle. The word "Warning" indicates a potentially hazardous situation in which, if not avoided, could result in serious injury or death. The word "Caution" indicates a potentially hazardous situation in which, if not avoided may result in minor injuries or damage to your bicycle or a component of your bicycle. Be sure to read and understand all of the Warnings and Cautions listed in the manual.

THE LOWDOWN ON THE LTe AND ITS FEATURES.

FRAME FEATURES

1 PATENTED SIXFINITY SUSPENSION SYSTEM.

The LTe delivers 160MM of travel with our patented and patent pending Sixfinity Technology. Efficient pedaling performance pairs with a supportive yet active feel when the going gets rough.

2 HIGH MODULUS CARBON FIBER MAIN FRAME AND SWING ARM WITH VECTRAN™

High modulus carbon provides a stiff, strong and light weight chassis. Strategically placed Vectran™ reinforcement plies increase impact strength.

3 FLOATING COLLET AXLE SYSTEM ON PIVOTS EXTENDS BEARING LIFE

Floating colleted pivot axles help create a stiff interface between the front and rear triangles of the frame. Enduro Max sealed bearings keep things moving freely at the pivots.

4 POWERFUL BOSCH PERFORMANCE LINE CX AND CX-R DRIVE UNITS AND RANGE EXTENDING 800WH BATTERY

Driven by Bosch's Performance Line CX and CX-R drive units you have up to 120Nm of torque and up to 750 Watts of power on tap. Paired with a 800 Wh battery, you can focus less on battery life and more on shredding miles of trail.

5 LEVERAGE RATE FLIP CHIP

Yeti's Sixfinity suspension platform has the ability to change the leverage rate. Flip the rate chip to suit your riding style, the trail, or the day.

6 ZERO STACK HEADTUBE (ZS44/ZS56)

Using a zero stack headtube design on the LTe provides a robust and reliable headset interface that accommodates various aftermarket head angle (up to +/- 1 degree) and reach (up to +/- 5mm) adjust headsets. *Adjustable headsets are not supplied with LTe complete bikes or framesets.*

7 REAR WHEEL FLIP CHIP FOR FULL 29" OR MULLET CONFIGURATIONS

Incorporating a flip chip at seat stay and rocker connection, we give the option of running a 29" or 27.5" rear wheel while preserving the same frame geometry.

8 CUSTOM REINFORCED FRAME COVERS AND RIBBED CHAIN GUARDS TO DECREASE CHAIN SLAP NOISE

Custom reinforced frame covers keep the frame protected from any direct impacts and prevents dirt and debris from damaging critical frame components. Reducing the annoying sounds caused by chain slap, the LTe ribbed rubber chainstay and seatstay guards keep things quiet while riding and protect the frame.

9 INTERNALLY MOLDED CARBON TUBES WITH CONFIGURABLE CABLE ROUTING OPTIONS FOR HASSLE FREE MAINTENANCE AND A QUIET BIKE

The LTe is designed with rattle-free cable ports, internally molded routing tubes in the chainstay and front triangle to keep the bike quiet and clean looking with standard or moto routing while reducing cable rub and overall maintenance.

10 INTEGRATED AXLE AND UNIVERSAL DERAILLEUR HANGER SYSTEM

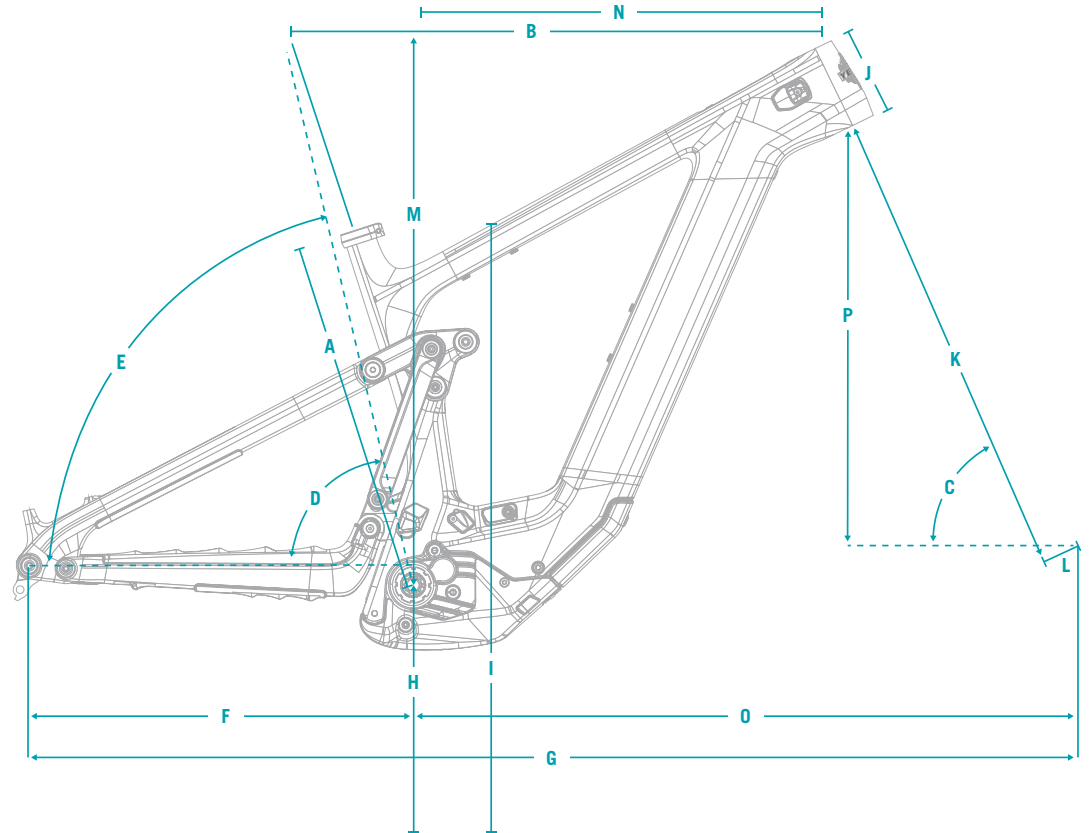
Dedicated 12 x 148 Boost dropouts with SRAM's universal derailleur hanger provide strength, stiffness and easy hanger and wheel installation.

11 UNINTERRUPTED SEAT TUBE FOR COMPATIBILITY WITH LONGER TRAVEL DROPPER POSTS

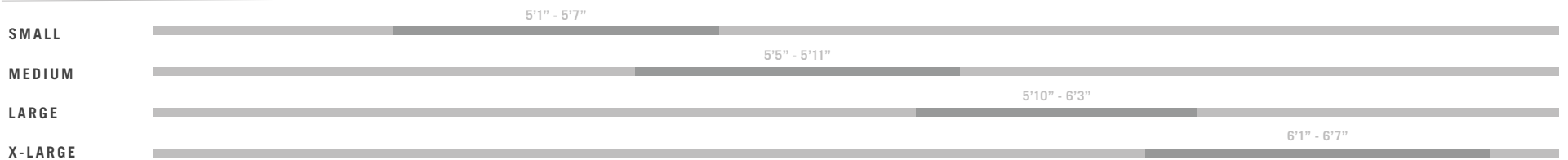
Getting the saddle out of the way allows you to tear down the steepest descents without worrying if your saddle is going to buck you. The LTe's uninterrupted seat tube design lets you fit the longest dropper possible for your saddle height.

LT_E GEOMETRY

	170MM FORK	SM	MD	LG	XL
A	SEAT TUBE LENGTH	390	420	440	460
B	EFF. TOP TUBE LENGTH	566	598	620	647
C	HEAD TUBE ANGLE°	64.0	64.0	64.0	64.0
D	EFF. SEAT TUBE ANGLE°	78.0	78.0	78.0	78.0
E	ACTUAL SEAT TUBE ANGLE°	72.0	72.1	72.2	72.3
F	CHAINSTAY LENGTH	449	449	449	449
G	WHEELBASE	1223	1257	1282	1312
H	ESTIMATED BB HEIGHT	350	350	350	350
I	STANDOVER	754	765	765	765
J	HEADTUBE LENGTH	92	100	111	122
K	FORK (AXLE TO CROWN)	588	588	588	588
L	FORK (OFFSET)	44	44	44	44
M	STACK	618	625	635	645
N	REACH	435	465	485	510
O	FRONT CENTER	774	808	833	863
P	VERTICAL FORK TRAVEL	153	153	153	153



FIT



FRAME STANDARDS

GEOMETRY



TRAVEL	160MM
WHEEL SIZE	29" OR MX
FRAME SIZE	SM, MD, LG, XL
REAR SHOCK	205MM X 65MM TRUNNION MOUNT
DRIVE UNIT	BOSCH PERFORMANCE LINE CX / CX-R
REAR WHEEL	148MM X 12MM (BOOST)
SEATPOST	31.6MM
SEAT COLLAR SIZE	36.4MM
CHAINLINE	55MM
HEADSET	ZS44/ZS56 TAPERED
REAR BRAKE POST MOUNT	180MM
SHOCK HARDWARE	TOP: TRUNNION MOUNT, BOTTOM: M8X40MM
MIN/MAX CHAINRING	34T MIN / 34T MAX
MIN MAX REAR ROTOR	180MM MIN / 220MM MAX
AXLE SPEC	172MM M12X1.0
MAX TIRE WIDTH	2.6"
MAX FORK AXLE TO CROWN	607MM

SETUP

INITIAL SETUP SHOULD BE PERFORMED BY A CERTIFIED MECHANIC PRIOR TO MAKING ADJUSTMENTS OR FIRST USE.

SADDLE HEIGHT

- Loosen headtube port for the dropper housing and unclip from cable clips on inner frame near the DU and ensure dropper housing moves freely, unless using wireless dropper post.
- Loosen the seat collar and adjust to your desired height.

WARNING: DO NOT EXCEED THE MINIMUM INSERTION DEPTH MARKED ON THE SEATPOST

- Once you have adjusted the seatpost to your desired height, re-tighten the seat post collar and headtube port bolt to their recommended torque specification.

WARNING: When using a dropper seat post, ensure there is no interference of any component when the dropper is fully dropped and the suspension is fully compressed.

SUSPENSION / TIRE SETUP

- Visit <https://shocksetup.yeticycles.com/bikes> for complete instructions on setting up your front and rear suspension and recommended tire pressures.

WARNING: Only make suspension adjustments while completely stopped and not moving.

- Check tire pressure before every ride.

WARNING: Do not exceed max tire pressure that is labeled on the sidewall of the tire. Too low of tire pressure could lead to pressure loss known as burping and increase the chance of tire and rim damage.

- The LTe has a flip chip that adjusts the bikes leverage rate. The frame comes with 2 chipsets offering 30% and 25 or 35%.
- To adjust the leverage rate to be more or less progressive, support the rear wheel and remove the lower shock bolt.
- Remove the rate chips and reposition them or swap them out for the alternate chipset. The furthest rearward position offers the most progressive rate and the furthest forward offers the least progressive rate. Position the selected chip set in the desired position and reinstall the lower shock bolt with the addition of a small amount of blue Loctite 243 on the bolt threads.
- If more setup information is required, please talk to a certified Yeti dealer or reference the suspension manufacturers manuals that came with the bike or visit their website.

COCKPIT SETUP

- Loosen the stem bolts to adjust handlebar. Do not loosen the bolts that secure the stem to the steerer tube to make this adjustment.
- Roll the bars and re-torque to manufacturers recommended settings.
- Loosen the bolts securing the brake and shift controls and move them so that they are safely accessible while operating the bike.
- The brake and shift controls can be adjusted by moving them side to side or rolled up and down to achieve desired location. Torque controls to the manufacturers recommended torque specification once desired position is achieved.

CHARGING

- The battery ships partially charged so the system must be fully charged prior to first use.
- Pull the charging cover up and away from the charging port. It will stay connected to the charging port.
- Before installing charging plug, ensure proper alignment of charger plug.
- If installed properly the top tube display will provide a charge status indicating the battery is being charged.
- Charge time will vary based on starting charge level. With the supplied Bosch 4A charger it will take roughly 6.9 hours to reach full charge from a fully drained PowerTube 800Wh battery.
- After battery is fully charged remove charger plug from charging port and replace port cover.
- To charge the battery when it has been removed from the bike, follow the instructions found in the section “battery removal and installation” below and the charger can be plugged directly into the battery. Ensure proper alignment before installing charging plug.

WARNING: Do not attempt to charge the bike while riding the bike.

- See Bosch manual for further operation and safety information.

<https://help.bosch-ebike.com/us/help-center/manuals>

SETUP CONTINUED

INITIAL SETUP SHOULD BE PERFORMED BY A CERTIFIED MECHANIC PRIOR TO MAKING ADJUSTMENTS OR FIRST USE.

RANGE EXTENDER

- The Bosch PowerMore 250 is only compatible with select frame sizes and shock spec configurations. Size SM is never compatible. For LTE's spec'ed with Fox Float X shocks the PowerMore is only compatible with sizes M-XL in all shock rate positions. For LTE's spec'ed with Fox Float X2 shocks the Power more is compatible with sizes L-XL in all rate positions; it is possible to configure size Medium to fit utilizing the Yeti Range Extender Mounting Bracket for Medium (300040747). Note that the LTE utilizes a blind rivnut to prevent bolts from contacting the battery and usage of the Yeti water bottle fasteners is required to mount the Yeti Range Extender Mounting Bracket for Medium to the frame; use the supplied fasteners with washers to mount the PowerMore guide rails to the Yeti Range Extender Mounting Bracket. The Bracket should be mounted with to the frame with the notched indicator up and closest to the front of the bike. Note that if the washers are not used with the fasteners, there is risk of paint damage due to the fastener length. The PowerMore should only be mounted with the guide rails included with the PowerMore battery. We recommend the 200mm cable (EB1212008H) to connect the Powermore to the charge port on the lower non-driveside downtube. Note that the included waterbottle adaptor cage included with the PowerMore is not compatible with the LTE. Physical clearance checks are required for other shock models to determine compatibility with the PowerMore.
- Before installing, verify that the PowerMore 250 range extender is assembled with the 200mm battery connection cable. Bosch cable part number EB1212008H.
- The PowerMore 250 range extender mounts to the downtube waterbottle bosses using the PowerMore battery holder. The PowerMore is only permitted for installation on the battery holder guide rails, do not attempt to use a traditional waterbottle cage to mount the PowerMore.
- Mount the PowerMore 250 to the battery holder. Confirm it is fully engaged with the battery holder. Ensure the PowerMore as sufficient clearance to the shock when compressed and is clear of the top tube. Adjust PowerMore battery holder accordingly before torquing the bolts to recommended specifications.
- With the PowerMore mounted to the downtube, insert the plug into the charging port. Be sure to route the connecting cable such that it is out of the way of the crank arm. Adding a twist to the cable can ensure it stays close to the downtube and away from the riders feet.
- Reverse the previous steps for removal of the PowerMore 250.

- To charge the PowerMore 250, remove the connection cable and plug the charger into the PowerMore.
- Please reference the Bosch PowerMore 250 manual for more detailed information on charging, install and removal processes.
- **Note: The water bottle adapter cage included with the PowerMore is not compatible with the LTE.**

TURNING ON/OFF THE SYSTEM

- Press the power button at the top left of the Kiox 400C display to turn on the system. Press the same power button to shut down the system.
- The battery must be charged for system to turn on.
- If the bike has not moved for 30 minutes, the power will shut off automatically.
- Ensure the bike is stationary prior to powering on the system.

MODE SELECTION

- The support mode can be selected using the Bosch Mini Remote on the left side of the handlebar once the system has been turned on.
- Use the + and - buttons on the Mini Remote to toggle between modes.
- To activate Walk assist, first make sure both wheels are on the ground and the bike is stationary. Press and hold the -/Walk button on the Mini Remote to engage walk mode. Keep it pressed and move the bike with walk assist.
- Walk assist will only be active when the button is pushed and held.
- Additional information can be found in the Bosch Kiox 400C and Mini Remote Manuals available at Bosch's Help center online at:

<https://help.bosch-ebike.com/us/help-center>

SETUP CONTINUED

INITIAL SETUP SHOULD BE PERFORMED BY A CERTIFIED MECHANIC PRIOR TO MAKING ADJUSTMENTS OR FIRST USE.

DISPLAY OPERATION

- Power the system on with a single push of the power button at the top left of the Kiox 400C display.
- Operation of the Kiox 400C can be done with usage of the Mini Remote or the buttons found on the display.
- The Kiox 400C is equipped with a USB-C port that can be used to charge devices. It is located under a cover at the top right of the display.
- See the Bosch Help Center for more information on the Kiox 400C online at:

<https://help.bosch-ebike.com/us/help-center>

BOSCH E-BIKE FLOW APP

- System updates and system customization are all available through the Bosch E-Bike Flow app.
- Download the Bosch E-bike Flow app on your phone, create an account, and enable bluetooth to connect to your bike.
- For more information go to the Bosch Help Center website:

<https://help.bosch-ebike.com/us/help-center/ebw-apps>

BATTERY REMOVAL AND INSTALLATION

- To remove the battery, first remove the downtube and drive unit guards.
- Remove the charge port assembly.
- Disconnect the battery adaptor from the battery.
- Loosen the rear motor mount bolt, do not completely remove this bolt.
- Support the drive unit while removing the front motor mount bolt, allow the drive unit to rotate down and away from the frame.
- Verify that there is nothing obstructing the exit path of the battery out of the downtube.
- Remove the upper battery mount bolt. Support the battery and remove the lower battery mount bolt. Carefully slide the battery out of the downtube.
- To reinstall the battery, reverse the removal process. Carefully slide the battery in the downtube in the correct orientation, secure both battery mount bolts.
- Reconnect the battery adaptor and reinstall the charge port assembly. Rotate the drive unit back into the frame and be sure all cables are neatly tucked along the top of the drive unit and not getting pinched by or in any frame interface.
- Install the front motor bolt, torque both motor bolts. Reinstall the downtube and drive unit covers.
- For detailed information, see the frame assembly steps provided in this manual.

KEEP YOUR YETI FRESH AND CLEAN

MAINTENANCE OVERVIEW

Following these guidelines will help maintain the performance of your bicycle and prevent more serious problems from arising. It is important to remember that service intervals can vary depending on climate, trail conditions and riding frequency. Servicing your bike requires special knowledge and tools. If you are unsure about working on your own bicycle, contact your authorized Yeti Dealer for more information on general bicycle maintenance.

This owner’s manual should be used in addition to the manuals supplied with your bike by the component manufacturers. If those manuals are missing, most component manuals can be found on the component manufacturers website or contact your local dealer.

Any component of the Bosch Performance Line CX system should only be serviced by a certified mechanic. All Bosch related service should be taken to a Yeti authorized dealer and not attempted by the user.

Before any maintenance is performed be sure to turn off the E drive system and disconnect battery.

SCHEDULE	BEFORE EACH RIDE	MONTHLY	3 MONTHS	ANNUALLY
Clean and lube chain	●			
Check tire pressure	●			
Clean bike of mud and debris	●			
Check brake function	●			
Ensure all cable ends are covered with crimped cable end caps	●			
Check rims for deformations or cracks	●			
Check shock pressure		●		
Check for loose bolts and tighten, if necessary		●		
Check headset and tighten/loosen, if necessary		●		
Check for firmware updates using Bosch Flow app		●		
Thoroughly clean pivot points with a rag (do not lubricate)		●		
Check chainring lock ring and tighten, if necessary		●		
Check / replace brake pads			●	
Check tires for wear			●	
Check spoke tension, retention, if necessary			●	
Check chain for wear, replace if necessary			●	
Complete tune-up performed by an authorized Yeti Dealer				●

TORQUE

Yeti strongly recommends using a torque wrench when assembling your frame. Torque specifications for individual parts on the LTe are listed below, as well as in the step by step assembly instructions later in the manual. For general bicycle maintenance please consult the torque specifications of the component you are adjusting.

KEY TORQUE SPECS

ITEM #	DESCRIPTION	TORQUE (NM)
4.7	Main pivot collet axle	10
4.22	Clevis pivot bolt	12
4.13	Collet wedge bolt	14
4.15	Link Pivot Hardware, 15mm male	15
4.29	Universal Derailleur Hanger	25
5.8	DU Fixing bolts	30
4.32	Lower Shock bolt, M8	15
4.2.4 / 4.3.4	Rocker Link Pinch Bolt	5
4.18	Seatstay / Wheel Chip Bolt	15
4.17	Upper Shock bolts	12
4.25	Timing Link bolt, Long	12
4.26	Timing Link bolt, Short	12
4.53	Yeti Seat Clamp, bolt-on, 31.6mm	5
N/A	Chainring Lockring	35
N/A	Rear Axle 12x148 UDH	12

FRAME ASSEMBLY

YETI TIPS

Make sure your tools are in good condition. A worn allen key can round the hex on a bolt not allowing for proper torque. Torque settings are listed throughout the instructions. It is important to prep all bolt threads. The instructions denote whether to use a Loctite compound or grease.

WARNING: Service on Yeti bicycles requires special knowledge and tools. Yeti Cycles recommends that all service and repairs be performed by an authorized Yeti Dealer.

WARNING: All frame components must be installed for proper function of this bike. Removal of any frame component could result in frame damage and injury.

TOOLS NEEDED

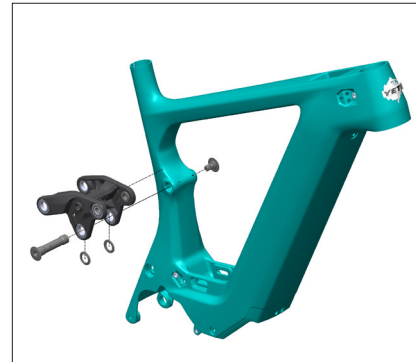
- 2mm allen key
- 2.5mm allen key
- 3mm allen key
- 4mm allen key
- 5mm allen key
- 6mm allen key
- 8mm allen key
- 10mm allen key
- T10 Torx
- T25 Torx
- T40 Torx
- Torque Wrenches (0.5Nm - 55Nm)
- Lockring Tool: BBT-18



01

Apply Loctite 243 to 2X M5 FHCS (4.27)

Assemble the Rocker Link. Secure DS and NDS Rocker Link (4.2 & 4.3) to the Rocker Bridge (4.6) with 2X M5 FHCS (4.27). Leave screws loose; the final torque will be applied once shock is installed.



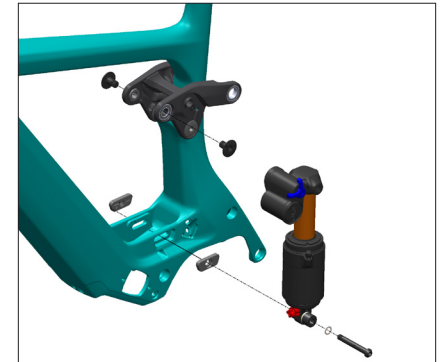
02

Apply a light coat of grease to the inner raised surface of 2X Race Extender (4.16)

Apply Grease to the shaft of the Link Pivot Axle (4.14)

Apply Loctite 243 to the threads of the Link Pivot Bolt (4.15)

Place 2X Race Extender (4.16) onto the lower Rocker Link bearings with the flat surfaces of the race extender against the Front Triangle. Install Rocker Link Assembly (4.2, 4.3, 4.6) to the Front Triangle. Secure with Link Pivot Axle (4.14) and male Link Pivot Bolt (4.15). Ensure pinch bolts on Rocker Link are loose and allow the bearings to float. Torque Link Pivot hardware to **15 Nm**.



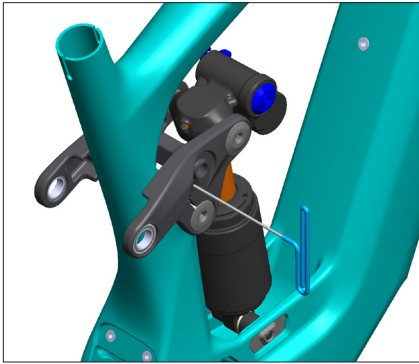
03

Apply Loctite 243 to 2X Shock Bolt (4.17) and Shoulder Bolt (4.32)

Install Shock Chips (4.30 and 4.31) and Shock into Frame and Rocker Link Assembly.

Markings on the shock chips should face inward. Torque Shock Shoulder Bolt (4.32) with washer (4.33) to **15 Nm**.

While allowing the Rocker Link Assembly to float into alignment, install 2X Shock Bolts (4.17) and torque to **12 Nm**.

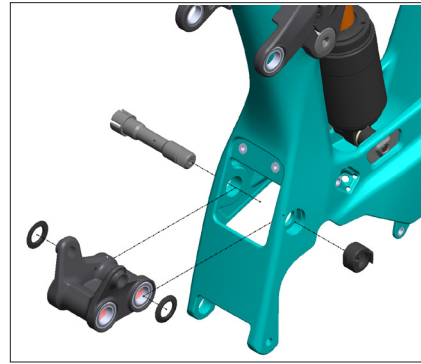


04

Torque 2X M5 FHCS (4.27) from OP30 to **5 Nm** once 2X Shock Bolts (4.17) are installed

With the Rocker Link Assembly Aligned to the Frame with the Shock, torque the Rocker Link Pinch Bolts (4.2.4 and 4.3.4) to **5 Nm**.

Tools Shown for Reference



05

Apply grease to the shaft and head of the 15mm Collet Axles (4.7). Apply Loctite 243 to threads.

Apply grease to the inner surfaces of 2X Race Extender (4.12).

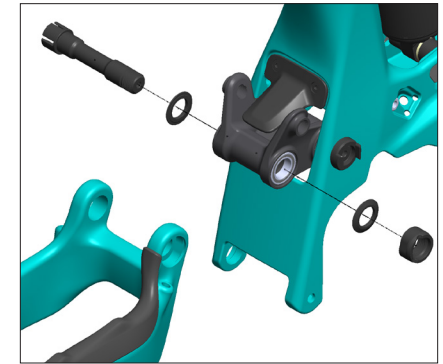
Grease the outer surface of the Chainguide Mount Keyed Nut (4.11).

Install Lower Link Assembly (4.1) with two Race Extenders (4.12) into the Front Triangle and secure with 15mm Collet Axle (4.7) and Chainguide Mount Keyed Nut (4.11). Torque to **10 Nm**.



06

Install Seat Tube Fender (4.41) to the Frame with 2X M4 FH screws (4.42). Torque until snug, approx. **1-2 Nm**.



07

Apply grease to the shaft and head of the 15mm Collet Axles (4.7). Apply Loctite 243 to threads.

Apply grease to the inner surfaces of 2X Race Extender (4.12).

Grease the outer surface of the Keyed Nut (4.8 or 4.59).

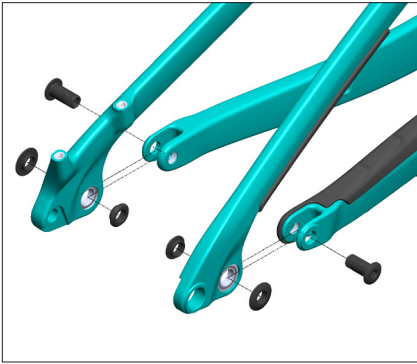
Install remaining 15mm Race Extenders (4.12) onto Lower Link (4.1) and place Chainstay onto Link.

C2 Kit: Secure with 15mm Collet Axle (4.7) and Cable Clamp Collet Nut (4.8), positioning clamp feature rearward.

T3/T4 Kits: Secure with 15mm Collet Axle (4.7) and Flat Collet Nut (4.59)

Torque Collet Axle to **10 Nm**.

C2 Kit Note: Loosely install Cable Clamp Cap (4.9) with 1x Screw (4.51). Final installation of cable clamps will be completed once cables are routed for full build.



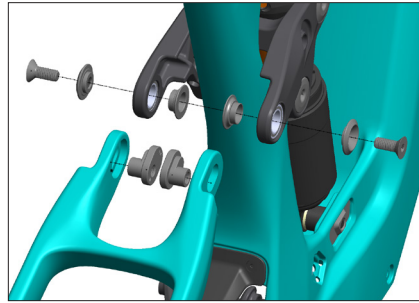
08

Lightly grease the inner surfaces of 2X Inner Race Reducer, Large Flange (4.23) and Inner Race Reducer, Small Flange (4.24).

Apply Loctite 243 to the threads of 2X Clevis Bolt (4.22).

Install 2X Inner Race Reducer, Large Flange (4.23) into the seatstay pivot bearings from the outboard side. Install 2X Inner Race Reducer, Small Flange (4.24) into the seatstay pivot bearings from the inboard side.

Install Seatstay onto frame, aligning first at the Chainstay. Secure with 2X Clevis Bolt (4.22) and torque to **12 Nm**.



09

* Note it may be necessary to remove the shock at the upper mount to allow the Rocker Link Assembly to rotate in order to fit the wheel chips in place and assemble. Once the pinch bolts are tightened after alignment with the shock it is ok to remove the shock and keep proper alignment *

Lightly grease the outer diameter of 2X Race Reducer (4.19)

Lightly grease the Wheel Chip interface on the inner seatstay.

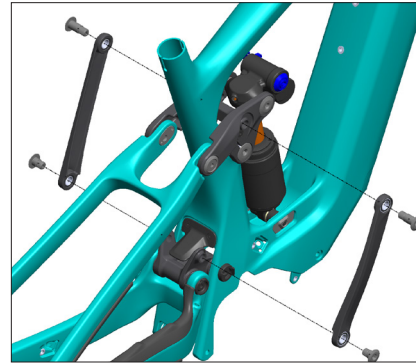
Lightly grease under the flange of 2X Flat Head Washer (4.20).

Apply Loctite 243 to 2X M8 FHCS (4.18).

Install 2X Inner Race Reducer (4.19) into the Rocker Link rear bearings.

Place Wheel Chips (4.21) in the Seatstay with the threaded bosses toward the rear (29 mode), guiding through the bearing bore. Secure Seatstay to Rocker Link Assembly with 2X M8 Flat Head Cap Screw and Washers (4.18 & 4.20)

Torque 2X Rocker Pivot FHCS (4.18) to **15 Nm**.



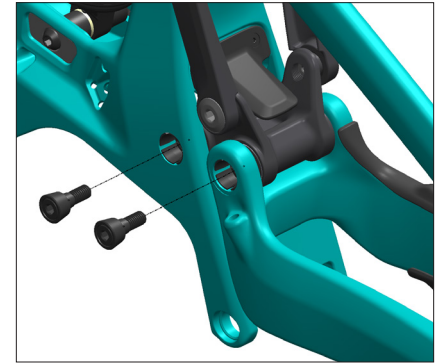
10

Apply Loctite 243 to 2X Shoulder Screw, Long (4.25) and 2X Shoulder Screw, Short (4.26)

Install DS and NDS Timing Links (4.4 & 4.5) to Rocker Link Assembly using 2X Shoulder Screw, 11mm, Long (4.25) and to Lower Link Assembly using 2X Shoulder Screw, 11mm, Short (4.26).

Torque fasteners to **12 Nm**.

WARNING: Ensure correct orientation of the timing links during installation. Incorrect alignment may result in mechanical interference with adjacent frame components. Each link is clearly marked for its designated side—Drive Side (DS) and Non-Drive Side (NDS). The orientation markings should appear upright when the links are properly installed on the frame.



11

Grease the head and threads of 2X Collet Wedge Bolt (4.13).

Install 2X Collet Wedge Bolt, 15mm (4.13) into the two 15mm Collet Axles at the Lower Link pivots. Torque to **14 Nm**.

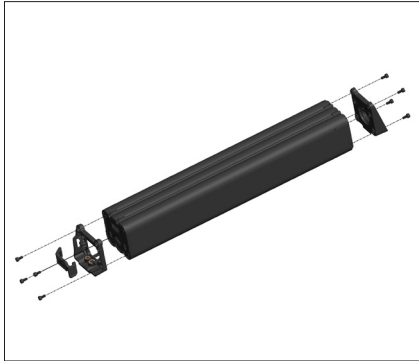
QC CHECK

Cycle the Rear Triangle through to make sure the motion is smooth before shock is reattached.

Note: It is recommended to perform all routing for brakes, drivetrain, and dropper seatposts at this point before fully installing the E-bike components.

E-COMPONENT ASSEMBLY

FIRST OPERATIONS MAY BE PERFORMED IN A STAND OR FLIPPED UPSIDE DOWN, DEPENDING ON BUILDER PERSONAL PREFERENCE.



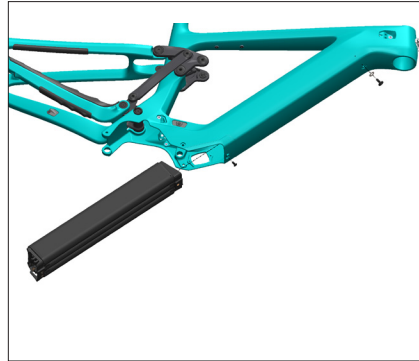
01

Apply Loctite 243 to the threads of 8x Screw (4.38).

Place the Battery Bracket Strap (4.64) around the hook on the Lower Battery Mount Bracket (4.36).

Assemble Battery Mount Brackets (4.36 and 4.37) to the Battery and torque endcap screws to **2-3 Nm**.

Note: The upper battery end cap is designed to accommodate tracking devices like Apple AirTag, Tile Sticker (2020,2022), or similar. Install tracker at this time.



02

Apply Loctite 243 to 1X M5 FHCS (4.27)

Slide the Battery with attached end caps up the down tube and secure with 1X M5 FHCS (4.27) and 1X Battery Mount BHCS (4.34) with Washer (4.62).

Torque M5 FHCS (4.27) to **5 Nm**.

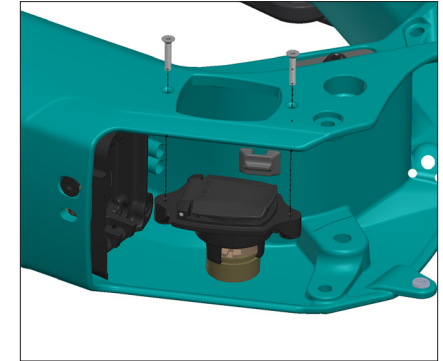
If using a new Battery Mount Screw (4.34), torque to **12Nm**. If reinstalling a used screw, torque to **6 Nm**, ensuring battery mounts are fully clamed against the frame.



03

Place the 24x2 O-Ring (5.6) over the the Charge-on-Bike Socket (5.5) and slide into the Charge Port Cover Assembly (4.61), keying the Socket with the aligning feature in the Cover Assembly.

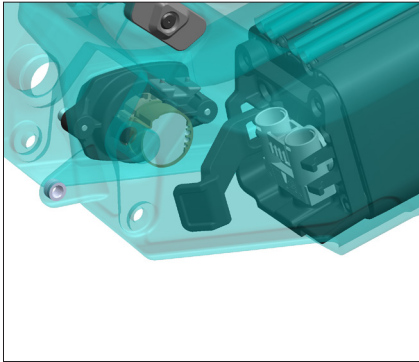
Press Socket in until clicked into place.



04

Apply Loctite 243 to 2X M3 Screw (4.35)

Install Charge Port Assembly into the Front Triangle with hinge facing forward. Secure with 2X Screws (4.35). Torque to **1 Nm**.

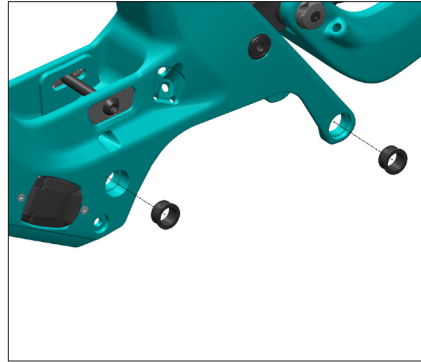


05

Snap the wiring harness from the Charge-on-Bike Socket into the right port of the Battery Adapter (5.3).

Snap the wiring harness of the Drive Unit to Battery Cable into the left port of the Battery Adapter

Insert the Battery Adapter (5.3) into the Battery socket and secure with the Battery Bracket Strap (4.64)



06

Install 2X Insert Sleeve (5.7) into the Front Triangle with the larger lip facing outboard.

Do not use grease.



07

Apply Loctite 243 to the frame threads of the DU mounts.

Install Drive Unit into Front Triangle rear mount with 1X Collar Screw (5.8). Leave screw loosely installed.



08

With DU hanging from the rear mount:

Connect the Battery Cable from the Battery Adapter to the receptacle on the DU and push until a click is heard.

Feed the HMI cable thru the display hole, down the down tube, and connect to the color-coded port on the lower NDS of the DU.

Use a zip-tie to secure wiring to the Front Triangle cable tie inside the frame.



09

Allow the wiring to bend up around around the NDS spindle housing and up into the frame as the DU is rotated up into place.

Secure DU with remaining Collar Screw (5.8).

Torque 2X Collar Screw (5.8) to **30 Nm**.



10

Apply Loctite 243 to Guard Standoff and install Guard Standoff (4.65) into the rear NDS cover mount on the DU.

Torque to **4 Nm**.



11

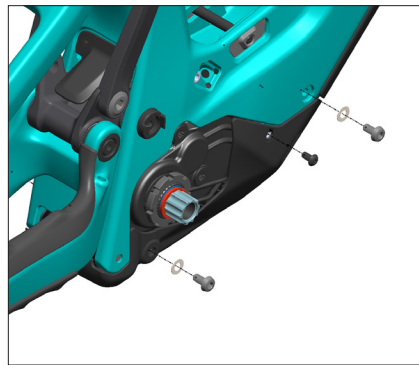
Connect HMI cable to the KIOX 400 Display (5.4) and install Display into the Front Triangle. Secure with provided screw and torque to **0.5 Nm**.



12

Apply Loctite 243 to 2X BHCS (4.40).

Loosely assemble the Drive Unit Guard (4.63) to the Down Tube Guard (4.39) with 2X M5 BHCS (4.40). DT Guard should be able to slide up & down as needed.



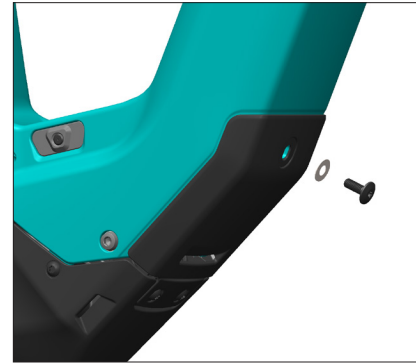
13

Slide the Guard assembly up onto the Front Triangle and Drive Unit.

Secure front of DU Guard to the FT with 2X M6 BHCS (4.66) and Washer (4.67)

Secure DU Guard to the Drive Unit with 2X M5 BHCS (4.40) and 1X M6 BHCS (4.66) and Washer (4.67)

Torque 3X M6 BHCS (4.66) and 2X M5 BHCS (4.40) to **4 Nm**.

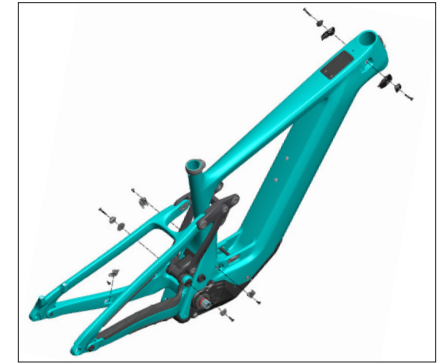


14

Install 1X Battery Mount Screw (4.34) with Washer (4.62) through the Down Tube Guard and into the Lower Battery Mount Bracket.

If using a new Battery Mount Screw (4.34), torque to **12Nm**. If reinstalling a used screw, torque to **6 Nm**, ensuring battery mounts are fully clamped against the frame.

Torque 2X M5 BHCS between the two guards to **4 Nm**.



15

Install all cable routing hardware and plastic pieces. These can be assembled loose and final torque will be done with the full bike assembly once cables are routed.

Front Triangle Head Tube

2X Clamp Base (4.43) on NDS with 2X Screw (4.49)

Headtube Cable Ports for each kit and routing are described below.

Standard Routing

C2 Kit: Drive Side 4.46, Non Drive Side 4.44

T3/T4 Kit: Drive Side 4.46, Non Drive Side 4.45

Moto Routing

C2 Kit: Drive Side 4.45, Non Drive Side 4.45

T3/T4 Kit: Drive Side 4.45, Non Drive Side 4.46

Front Triangle Lower Ports

C2 Kit: 2X Port Clamp, Single Exit (4.47) and Screw (4.42)

T3/T4 Kit: 1X Port Clamp Single Exit (4.47) and 1X Blank Cover (4.48) with 2X Screw (4.42)

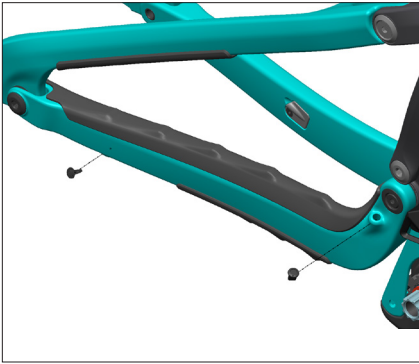
Chainstay Port

1X Port Clamp, Single Exit (4.47) with 1X Screw (4.42)

Chainstay Pivot

1X Clamp Base (4.10), Clamp Cap (4.9) with 1X Screw (4.49)

C2 Kit: 1X Clamp Cap (4.9) with 1X Screw (4.51)



16

T3/T4 Kit

Install 2X Routing Plug (4.60) into the cable routing ports on the Chainstay



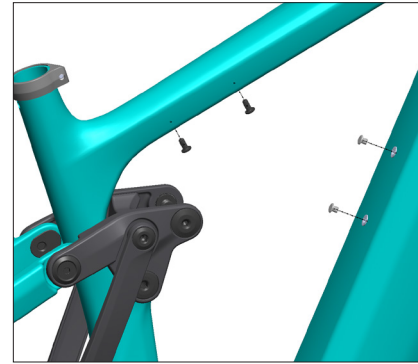
17

Note: Installation and inboard/outboard adjustment of chain guide should be performed after chainring and chain installation.

Apply Loctite 243 to Low Profile SHCS (4.52)

Install Chain Guide Mount (4.50) to Guide Mount Nut (4.11) with 1X FHCS (4.51). Tighten until snug (approx. **1-2 Nm**).

After chainring and chain installation, assemble Chain Guide (4.28) to Guide Mount using 1X Low Profile SHCS (4.52) and tighten until snug.

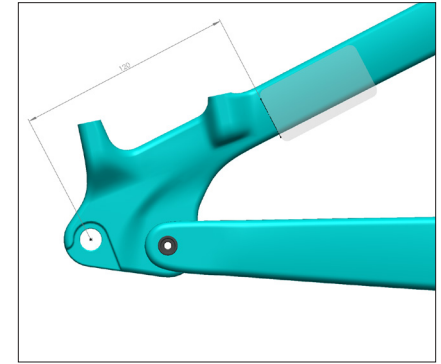


18

Install 2X Plug (4.54) into the Front Triangle H2O bosses

Install 2X Low Profile Cap Screw (4.55) into the Front Triangle accessory mounts.

Caution: Do not install downtube water bottle bolts without a bottle cage or Range Extender mount.



19

C2 Kit Only

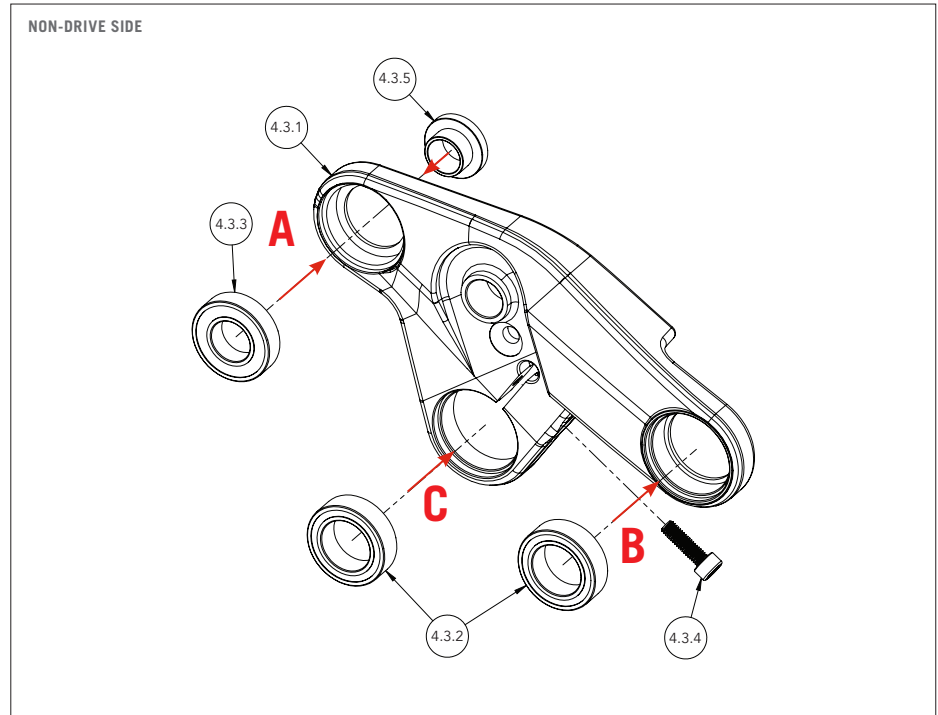
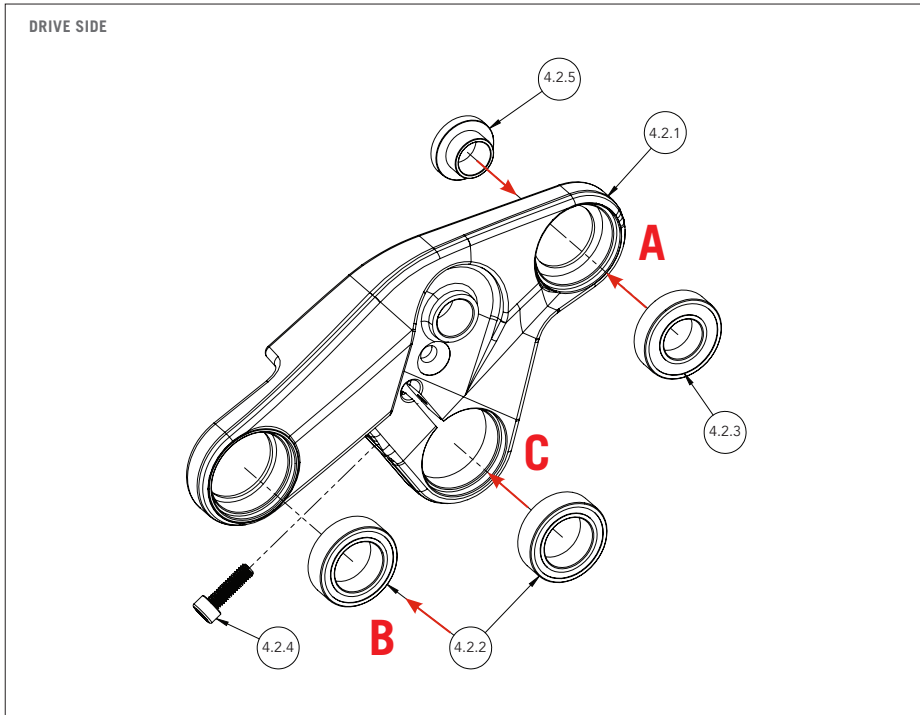
Apply 1X Clear Brake Rub Protector (4.68) onto the inner surfaces of the Seatstay. Ensure Seatstay is clean before application. Edge of decal should be approximately 120mm from the axle and top edge aligned with the top of the Seatstay edge and wrap underneath.

QC CHECK

Check all frame bolts to ensure that all linkages and hardware are tight and there is proper fit on all components.

BEARING PRESS ASSEMBLY

ROCKER LINK



01

- Clean all outer bearing races and bearing bores with isopropyl alcohol. Apply Loctite 609 to bearing bores A and B

02

- Press bearings one at a time into bores A and B until they are fully seated.

03

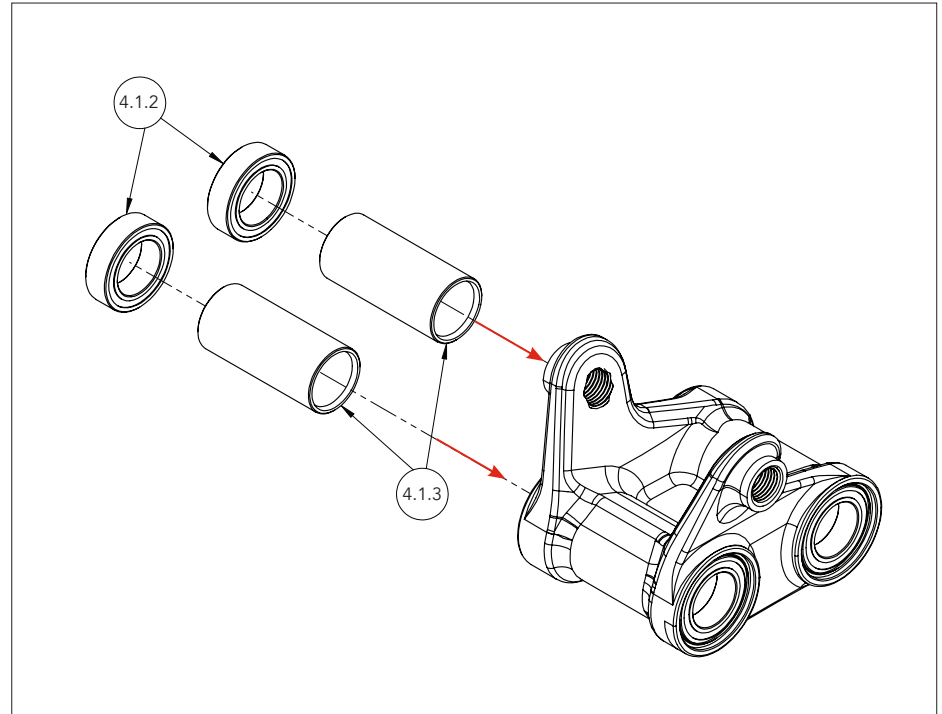
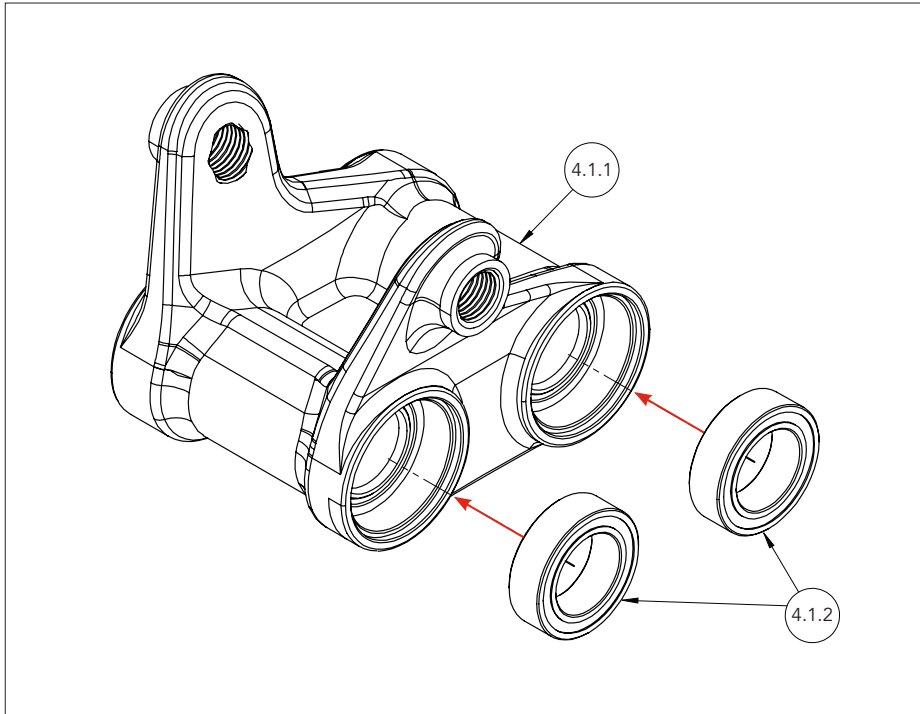
- Press race extender 4.2.5 into bearing Av.

04

- Using your hand, press bearing into bore C and loosely install pinch bolt. These bearings will not be fully seated, final position determined at final assembly. No Loctite should be applied to this bearing bore.

BEARING PRESS ASSEMBLY

SWITCH LINK



01

- Clean all outer bearing races and bearing bores with isopropyl alcohol.

02

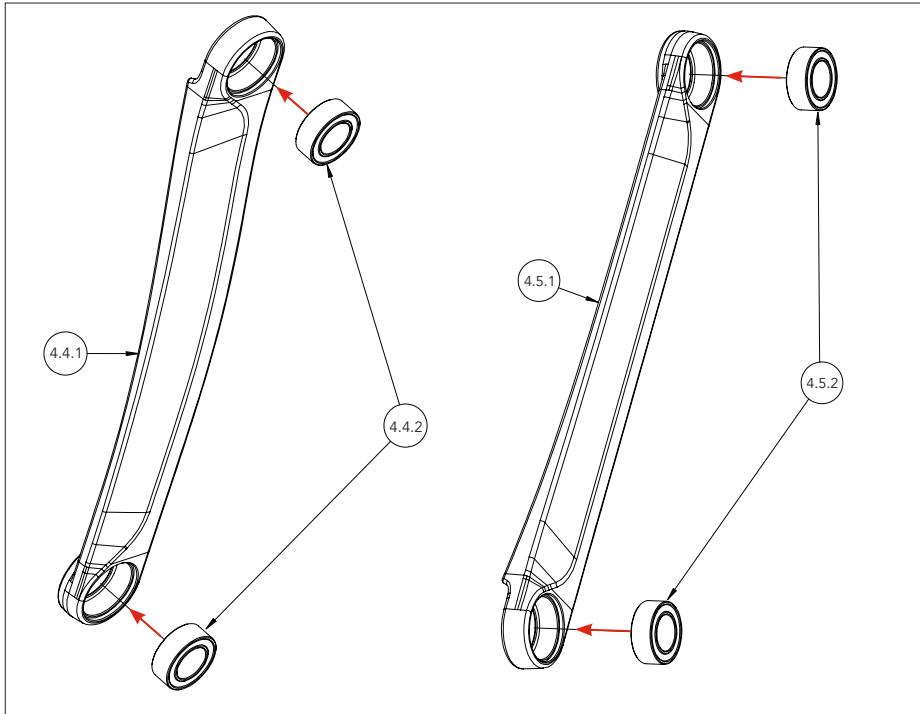
- Apply Loctite 609 to the drive-side bearing bores. Press drive-side bearings one at a time first, until fully seated.

03

- Apply Loctite 609 to the non drive-side bearing bores. Install spacers and press non drive-side bearings one at a time.

BEARING PRESS ASSEMBLY

TIMING LINKS



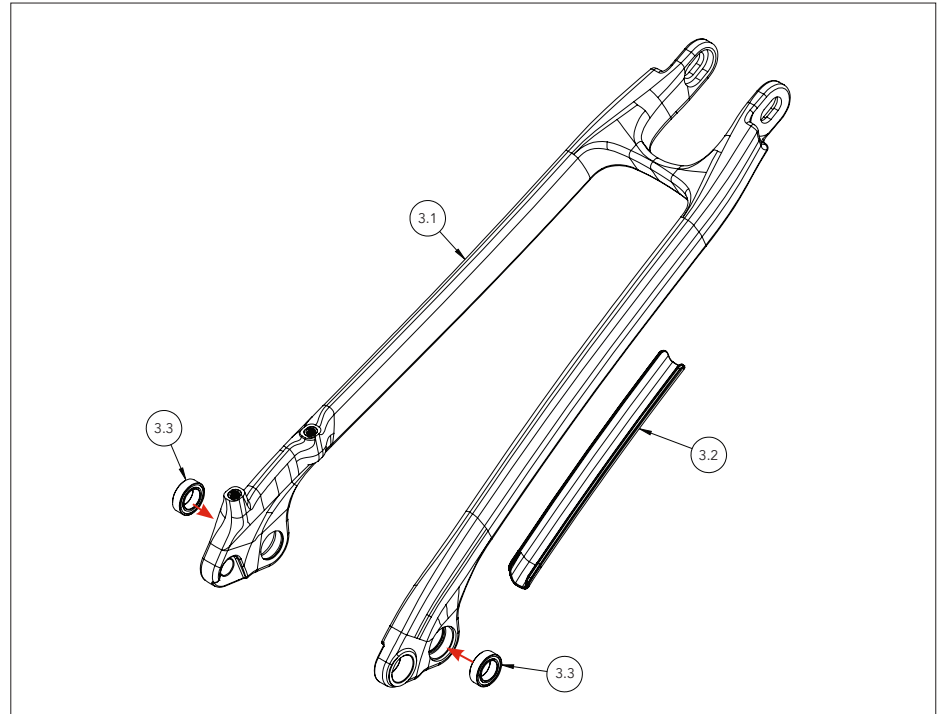
01

- Clean all outer bearing races and bearing bores with isopropyl alcohol. Apply Loctite 609 to the bearing bores.

02

- Press bearings one at a time until they are fully seated.

SEAT-STAY



01

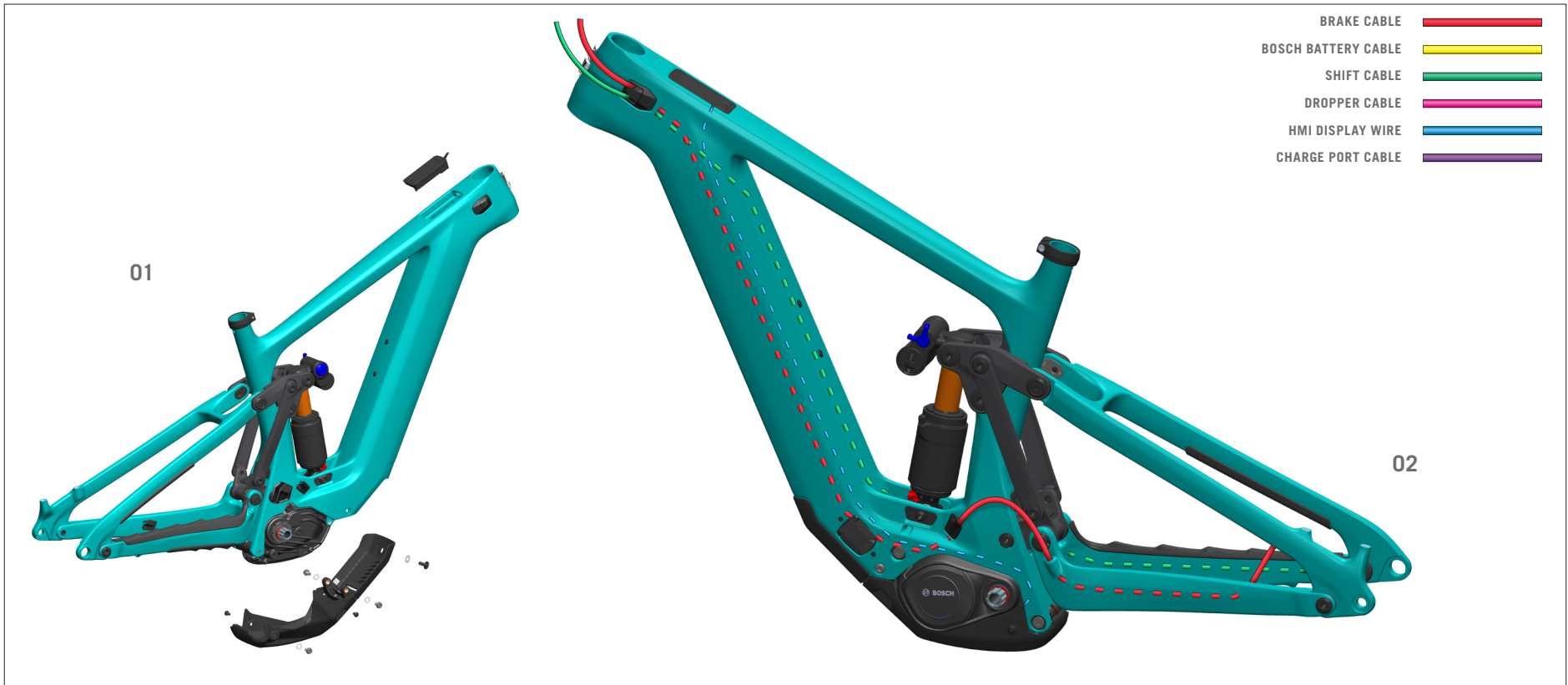
- Clean all outer bearing races and bearing bores with isopropyl alcohol. Apply Loctite 609 to the bearing bores.

02

- Press bearings 1 at a time until they are fully seated.

Note: Use caution when contacting the inside carbon face to avoid any damage to the paint. Do not press both bearings in at the same time.

CABLE ROUTING INSTRUCTIONS



01

1.1 Remove both the lower downtube guard and the top tube display to gain access to the necessary cable routing features. Additionally, loosen the rear motor mount bolt, support the motor with your hand and remove the forward motor mount bolt completely.

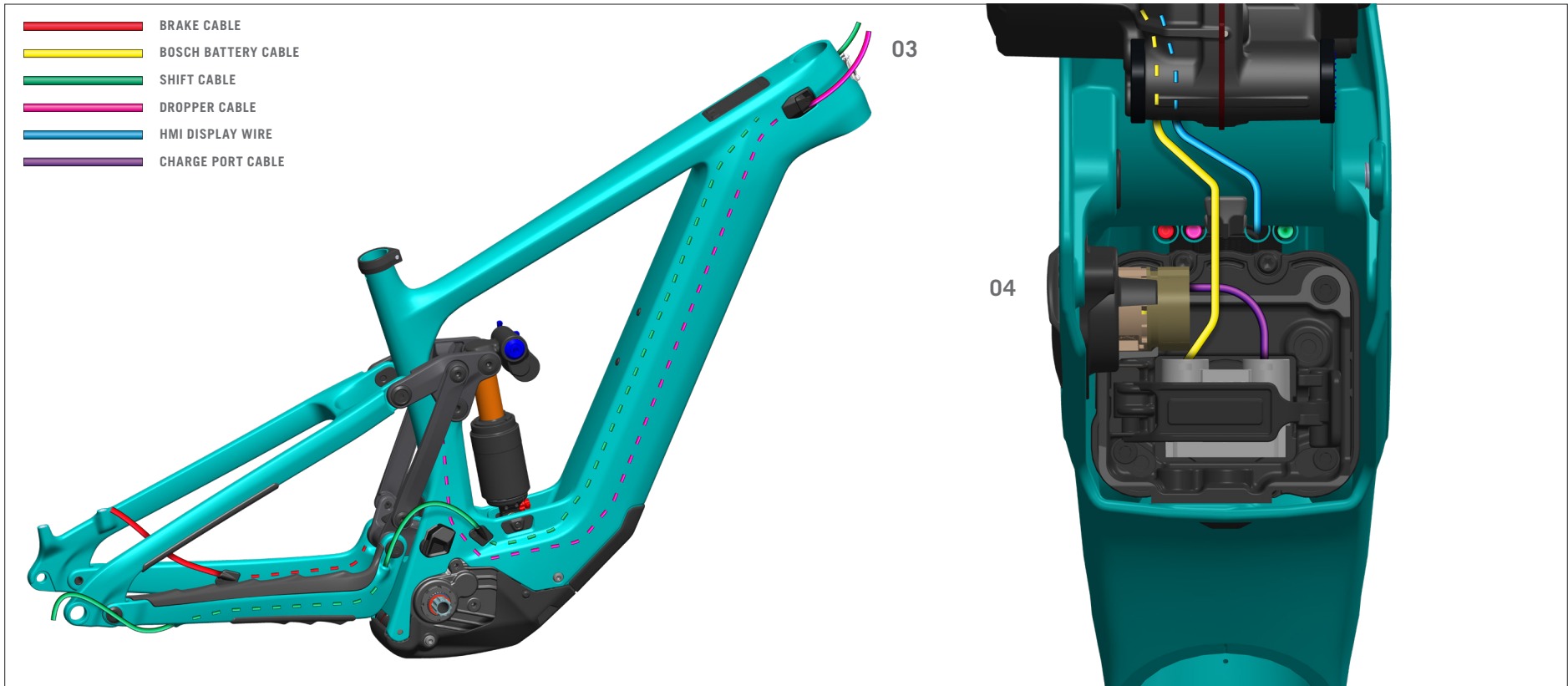
Allow the motor to pivot at the rear mount and rotate away from the frame. Prepare the necessary cable port clamp options appropriate for your cabling specifications, see the Exploded view and reference the Bill of Materials for a comprehensive list of these items.

02 : BRAKE AND SHIFT CABLES

2.1 Route rear brake cable first through the non-driveside port on the inner chainstay. Route the brake cable from the chainstay exit into the non-driveside port near the bottom of the front triangle downtube. Then route the brake housing into the routing tube on the inner non-drive side of the downtube. Feed the housing from the routing tube in the downtube through the upper non-driveside port hole (standard setup) or lower driveside port hole (moto setup) and connect to brake lever. Be sure to create a service loop between the seatstay and chainstay for the brake cable to accommodate for the growth when the suspension is cycled. Secure all associated port clamps. Secure the brake cable onto the cable tie found above the drive unit. Brake routing is complete.

2.2 Route the shift housing from the port on the underside of the driveside chainstay. From here the cable will exit at the front of the driveside chainstay, route over the chainguide and into the port on the driveside at the bottom of the front triangle downtube. Then route the shift housing into the routing tube on the inner driveside of the downtube. Feed the housing from the routing tube in the downtube through the lower hole in the non-driveside port to exit the frame. The housing will exit the routing tube near the headtube, exit the cable from the non-driveside port. Once housing is sized and connected to the shifter, secure the housing with a zip tie onto the cable tie found above the drive unit, secure all associated cable port clamps. Shift cable routing is complete.

CABLE ROUTING INSTRUCTIONS



03 : DROPPER CABLE

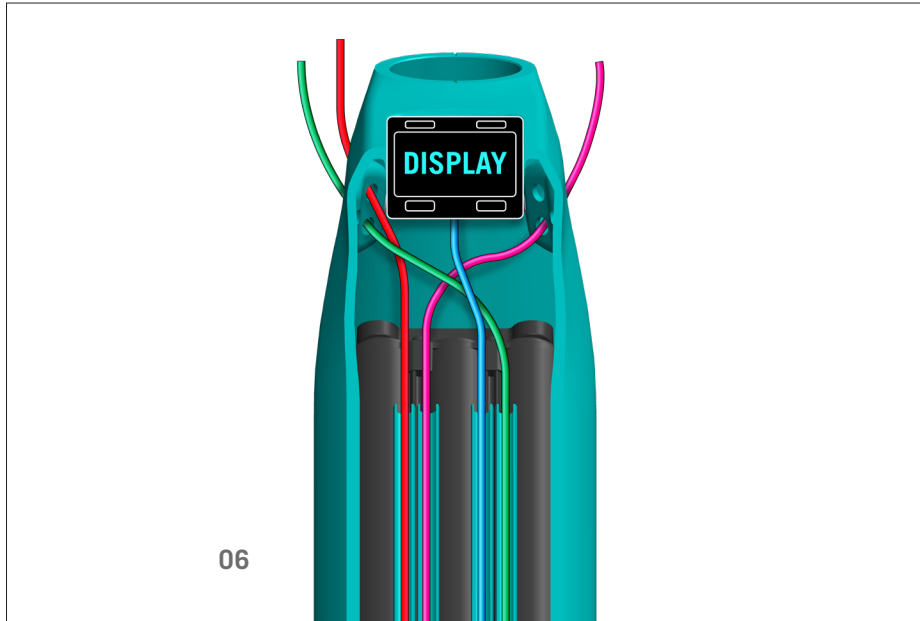
3.1 Route the dropper housing into the driveside headtube port and then into a routing tube on the inner non-driveside of the downtube. For Moto routing route the dropper housing on the non-driveside headtube port. The cable will exit the routing tube near the DU, from here route the dropper into the seatube. Connect the dropper and lever after sizing cable and housing for your designated seat height. Then secure the dropper housing with a zip tie to the cable tie above the drive unit and secure the driveside headtube cable port. Dropper cable routing is complete.

04 : BOSCH E-SYSTEM CHARGE PORT

4.1 With the charge port assembled and installed on the frame, connect the charge port cable to the driveside battery adaptor port. Charge port routing is complete.

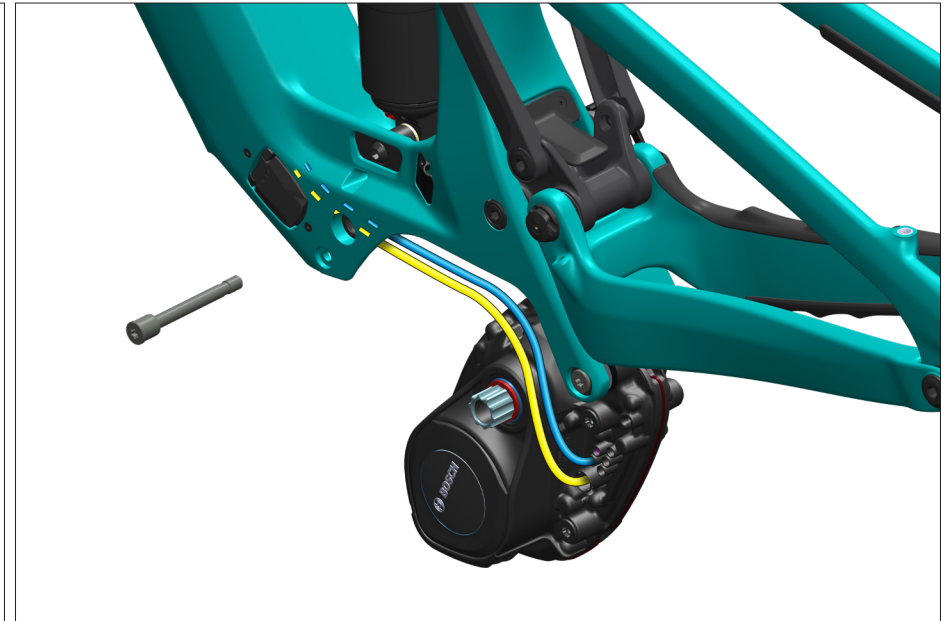
4.2 With the battery installed in the downtube and battery adaptor attached, connect the battery cable to the non-driveside battery adaptor port and route over the top of the drive unit and along the non-driveside of the DU, between the frame. Connect the other end of the cable to the large red port on the non-drive side of the drive unit.

CABLE ROUTING INSTRUCTIONS



05 : BOSCH E-SYSTEM HMI DISPLAY CABLE

5.1 Connect the HMI cable to the Kiox 400C display. Route the HMI cable down the available routing tunnel in the inner downtube. The HMI cable will exit near the DU. From there, route along side the battery cable and connect to the White port labeled on the drive unit.



06 : BOSCH E-SYSTEM DRIVE UNIT

6.1 Once all routing is complete and cable to organized and secured to the appropriate cable ties, it is time to reinstall the drive unit. Carefully rotate the drive unit back into the frame, be sure to keep all cables from getting pinched between the drive unit and the frame. Take care to assure the Bosch battery cable and HMI cable are neatly tucked between the frame and drive unit, not protruding from the frame. Reinstall the forward motor bolt and torque to spec along with the rear motor bolt. Reinstall the drive unit covers and verify no wires are protruding from the drive unit and lower drive unit cover. Secure all cable ports, routing is complete.

DROPPER POST INSERTION GUIDE

Droppers are an essential tool for the modern mountain bike but proper clearance checks are required before heading out for your first ride.

The key checks are as follows:

Ensure your dropper is short enough to fit into the seat tube without interfering with the frame's structure but you are still able to achieve your desired BB-Saddle measurement. See the max insertion depth chart to confirm this distance for wired and wireless posts.

There are some scenarios where you can fit a longer dropper in your frame but when you drop your dropper the saddle could interfere with your tire during a suspension compression. See the Min BB-Saddle at full drop to confirm this distance.

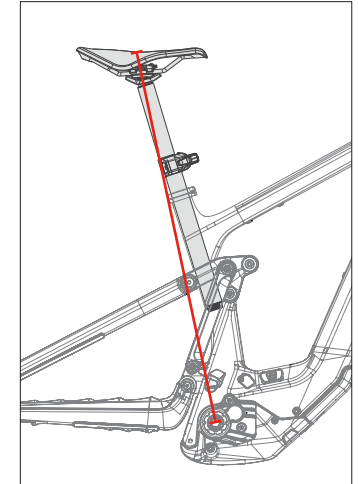
Always perform a final check to ensure your post is installed to at least the minimum insertion line. Also, compress the dropper and suspension (let the air out of your shock) to ensure there is no tire interference to the saddle.

We strive to spec dropper lengths to provide the maximum drop for the highest percentage of our riders. There is a wide range of saddle heights for every frame size. There is a possibility saddle height could fall outside of this range. A small percentage of customers might find they require a shorter or longer post given their saddle height.

Please confirm both of these measurements, they are both required to ensure proper dropper fitment.

If you have any questions, please contact Yeti or your local bike shop.

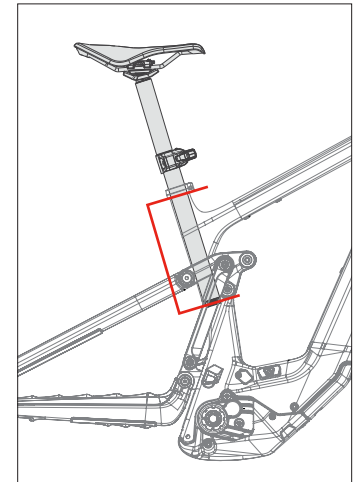
MINIMUM BB TO SADDLE CABLED DROPPER (MM)*		
FRAME SIZE	SMALL	512.3**
	MEDIUM	521.5**
	LARGE	No Min
	X-LARGE	No Min



*These measurements are only for cabled droppers. Please make sure if you have a wireless post you confirm that there is not any interference of the tire hitting the battery when the post is fully dropped and the suspension is fully compressed.

**If you go lower than listed minimum you run the risk of tire to saddle interference.

MAX INSERTION WIRELESS DROPPER (MM)*		
FRAME SIZE	SMALL	285.1
	MEDIUM	314.6
	LARGE	333.5
	X-LARGE	352.5

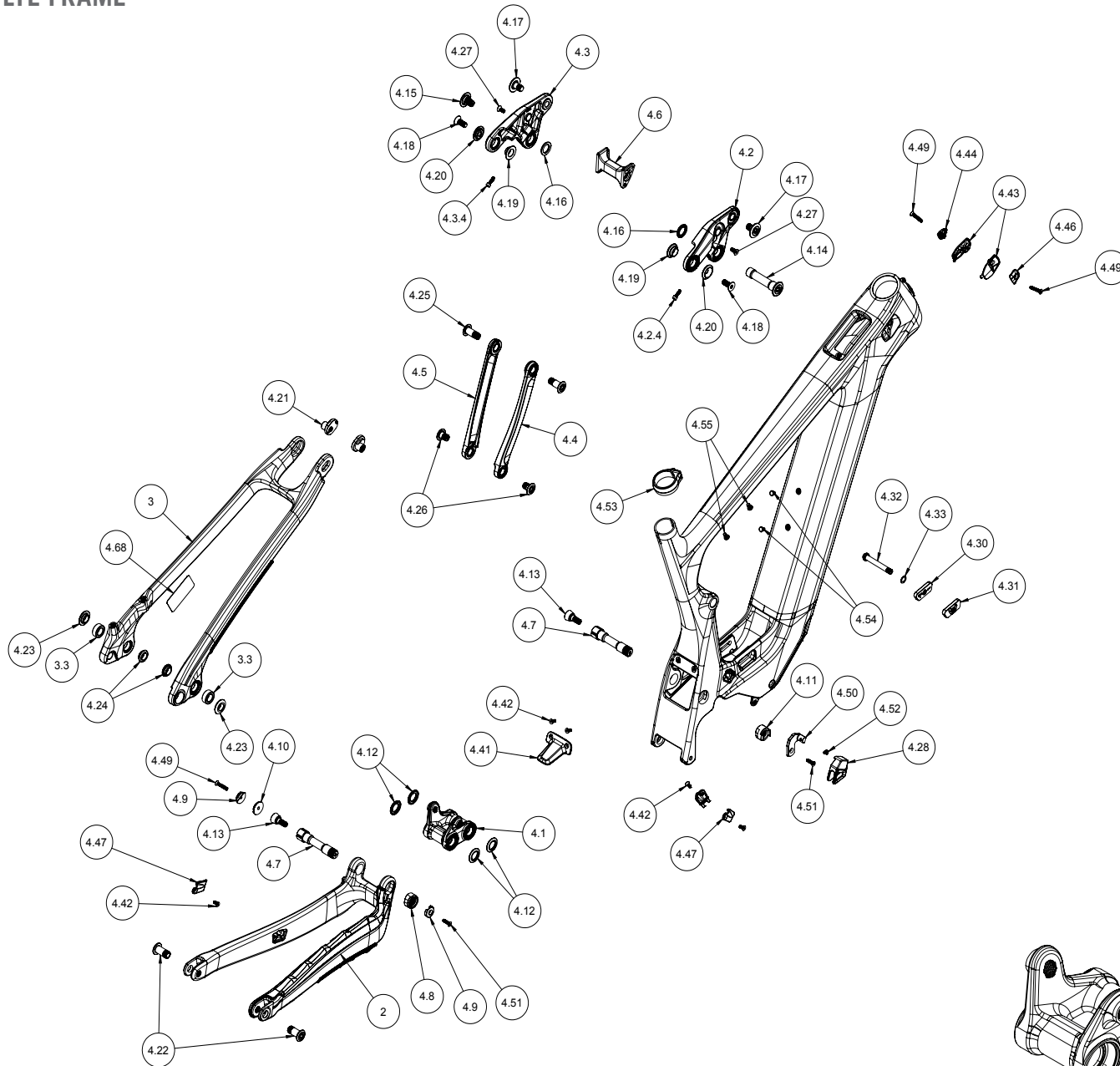


*Subtract 34mm for a cabled dropper to accommodate housing bend angle.

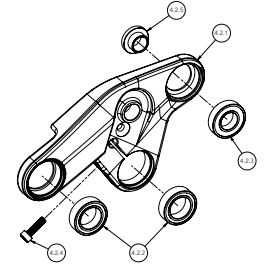
EXPLODED VIEW

LTe FRAME

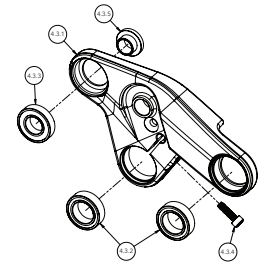
EXPLODED VIEW



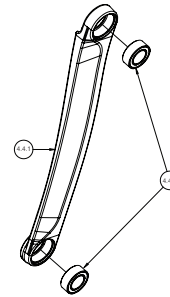
LTe ROCKER LINK, DS



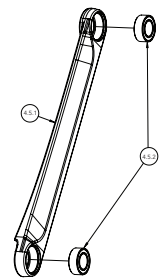
LTe ROCKER LINK, NDS



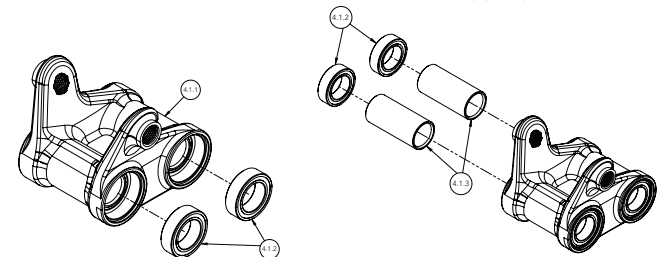
LTe TIMING LINK, DS



LTe TIMING LINK, NDS



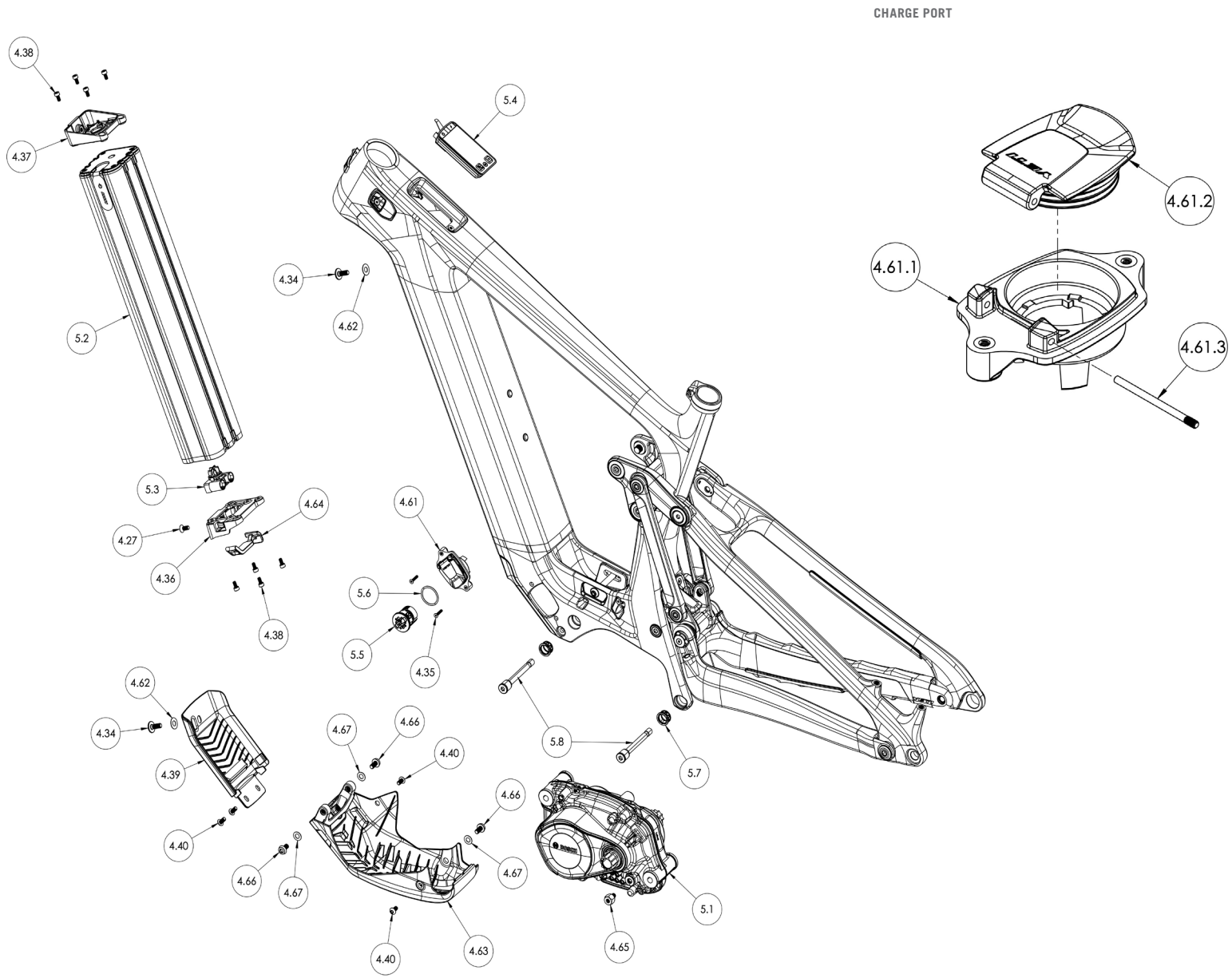
LTe SWITCH LINK



EXPLODED VIEW

E-COMPONENTS

EXPLODED VIEW



CHARGE PORT

LTe ASSEMBLY BILL OF MATERIAL

ITEM NO.	STOCK CODE	DESCRIPTION	TORQUE [NM]"	UNIT QTY.
1		LTE FRONT TRIANGLE ASSEMBLY		1
2		ASSY, CHAINSTAY, LTE, PURCH		1
2.1		LTE CHAINSTAY ASSEMBLY		1
2.2	300040678	CS GUARD, UPPER, LTE V1		1
2.3	300040679	CS GUARD, LOWER, LTE V1		1
3		LTE SEATSTAY ASSEMBLY		1
3.1		LTE SS		1
3.2	300040680	SS GUARD, LOWER, LTE V1		1
3.3	HNA00000BA00000000000	BEARING, 3802-2RS, 15 X 24 X 7		2
4		LTE ASSEMBLY HARDWARE		1
4.1		LTE SWITCH LINK		1
4.1.1	300040636	SWITCH LINK, LTE V1		1
4.1.2	HNA00000BA00000000000	BEARING, 3802-2RS, 15 X 24 X 7		4
4.1.3	300040642	SPACER, 18 X 15.2 X 39L		2
4.2		LTE ROCKER LINK DRIVESIDE		1
4.2.1	300040637	LINK, DS UPPER, LTE V1		1
4.2.2	HNA00000BA00000000000	BEARING, 3802-2RS, 15 X 24 X 7		2
4.2.3	300020056	BEARING, 6901-2RS, 12x24x6		1
4.2.4	300040667	SHCS, M4 X 14L, T25, SUS, ED BLACK	5	1
4.2.5	300030337	INNER RACE REDUCER, 12/10 X 3MM		1
4.3		LTE ROCKER LINK NON DRIVESIDE		1
4.3.1	300040638	LINK, NDS UPPER, LTE V1		1
4.3.2	HNA00000BA00000000000	BEARING, 3802-2RS, 15 X 24 X 7		2
4.3.3	300020056	BEARING, 6901-2RS, 12x24x6		1
4.3.4	300040667	SHCS, M4 X 14L, T25, SUS, ED BLACK	5	1
4.3.5	300030337	INNER RACE REDUCER, 12/10 X 3MM		1
4.4		LTE TIMING LINK DRIVESIDE		1
4.4.1	300040639	TIMING LINK, DS, LTE.1		1
4.4.2	300020057	BEARING, 11197 LLU MAX, BO (11X19X7)		2
4.5		LTE TIMING LINK NON DRIVESIDE		1

4.5.1	300040640	TIMING LINK, NDS, LTE.1		1
4.5.2	300020057	BEARING, 11197 LLU MAX, BO (11X19X7)		2
4.6	300040641	BRIDGE, UPPER LINK, LTE.1		1
4.7	300040643	COLLET AXLE, 15MM, 72L SHAFT, 10L THREAD	10	2
4.8	300030367	COLLET NUT, M15 X 1.5, SHIFTER HOSE CLAMP		1
4.9	300030368	CLAMP CAP, HOUSING, G1.3		2
4.10	300030366	CLAMP BASE, 23MM X 3.5T, BRAKE HOUSING		1
4.11	300040644	KEYED NUT, CHAINGUIDE MOUNT, M15 X 1.5		1
4.12	300040645	RACE EXTENDER 25 X 15.1 X 2.5L		4
4.13	300030378	COLLET WEDGE SUB-ASSEMBLY 15MM, M4 THREADED WEDGE BOLT	14	2
4.14	300040646	AXLE, LINK PIVOT, 15MM X 68.5L, M10X1, 25MM HEAD		1
4.15	300040647	SHOULDER SCREW, MALE, 15MM X 16.5L, M10X1.0, 25MM HEAD	15	1
4.16	300040648	RACE EXTENDER, 23 X 15 X 2.5L		2
4.17	300030327	SHOCK BOLT, 10 X 16L, M10X1	12	2
4.18	300040666	FHCS, M8 X 1.25 X 20L, SS BLK OXIDE	15	2
4.19	300040650	INNER RACE REDUCER 13/15MM, 3.5L. 24 FLANGE SHORT		2
4.20	300040649	WASHER, M8 FHCS, 25MM X 3.4L, SS CHIP PIVOT		2
4.21	300040694	WHEEL CHIP, SEATSTAY, LTE		2
4.22	300030330	BOLT, CLEVIS, M12X1.0, 12 x 25.75L, M5 INTERNAL THREAD	12	2
4.23	300030336	INNER RACE REDUCER 12/15MM, 3.25L, 25.5 FLANGE		2
4.24	300030335	INNER RACE REDUCER 12/15MM, 3.5L. 21 FLANGE		2
4.25	300030325	SHOULDER SCREW, 11MM X 27L, M10 X 1.0X10.5L THREAD, ALLOY	12	2
4.26	300030326	BOLT, M10X1.0X15, 11X6.5 SHOULDER	12	2
4.27	300030355	SHCS, FLAT HEAD, M5 X 0.8 X 14	5	3
4.28	300040567	CHAIN GUIDE, TOP		1
4.29	300060082	SRAM UNIVERSAL HANGER	25	1
4.30	300040691	SHOCK CHIP, 30%, THRU, LTE		1
4.31	300040692	SHOCK CHIP, 30% THREADED, LTE		1
4.32	300040662	SHOULDER BOLT, M8 X 1.25 X 59.5L	15	1
4.33	300030069	WASHER 8.5 X 12.5 X 0.5 MM		1

4.34	300040657	BHCS, M6 X 1 X 16L, BATTERY MOUNT, T25	6	2
4.35	300040671	SCREW, FH, M3 X 0.5, 16L	1	2
4.36	300040685	BATTERY MOUNT BRACKET, LOWER, LTE V1		1
4.37	300040686	BATTERY MOUNT BRACKET, UPPER, LTE V1		1
4.38	300040672	SHCS, M4 X 0.7 X 8L	3	8
4.39	300040682	GUARD, DT, LTE V1		1
4.40	300040670	BHCS, M5 X 10L, T25, SUS, ED BLACK	4	4
4.41	300040633	FENDER, ST, E-BIKE, GEN2		1
4.42	300030173	SCREW, FH, M4 X 0.7, 10L	1-2	5
4.43	300040524	CABLE PORT COVER, HEAD TUBE, 2 PIECE		2
4.44	300040522	CLAMP, HT PORT DOUBLE, PA6		1
4.45	300040521	CLAMP, HT PORT SINGLE, PA6		2
4.46	300040523	COVER, HT PORT, BLIND, PA6		1
4.47	300040518	COVER-CABLE PORT, SINGLE, RIGHT EXIT		3
4.48	300040542	COVER-CABLE PORT, BLANK, RIGHT EXIT		1
4.49	300030177	SCREW, FH, M4 X 0.7, 25L	1-2	3
4.50	300040695	CHAIN GUIDE MOUNT, 2 PIECE, LTE V1		1
4.51	300030174	SCREW, FH, M4 X 0.7, 16L	1-2	2
4.52	300040560	SHCS, M4 X 0.7 - 6L, ULTRA LOW PROFILE	2	1
4.53	300060078	ASSY, YETI SEAT CLAMP, BOLT ON, 31.6		1
4.54	300040494	HOLE PLUG, PLASTIC, 5.4 X 8.7MM, CRS-01		2
4.55	300030170	SHCS, LOW PROFILE, M5 X 0.8, 10L	5	4
4.56	300030358	WASHER 5.2 X 8.8 X 1.0 MM, STAINLESS ED BLACK		4
4.57	300040690	SHOCK CHIP, 25/35%, THREADED, LTE		1
4.58	300040689	SHOCK CHIP, 25/35%, THRU, LTE		1
4.59	300030362	COLLET NUT, M15, 9.5 THICK, ROUND CAP		1
4.60	300040510	FRAME PLUG, CABLE PORT		2
4.61		ASSY, CHARGE PORT, LTE		1
4.61.1	300040687	RECEIVER, CHARGE PORT, LTE V1		1
4.61.2	300040681	LID, CHARGE PORT, LTE V1		1
4.61.3	300040674	PIN, 2MM X 32L, KNURLED END		1
4.62	300040677	WASHER, FLAT, 7 x 15 x 0.5, STAINLESS		2
4.63	300040683	GUARD, DRIVE UNIT, LTE V1		1

4.64	300040684	STRAP, BAD2, BATTERY BRACKET, LTE V1		1
4.65	300040693	STANDOFF, DU GUARD, LTE V1	4	1
4.66	300030370	BHCS, CUSTOM, M6 X 1.0, 12L, STAINLESS	10	3
4.67	300030062	WASHER 6.5 X 12.5 X 0.5 MM		3
5		LTE E-COMPONENTS		1
5.1		DRIVE UNIT, BOSCH BDU38, 20240130		1
5.2		BATTERY, POWERTUBE 800, HORIZONTAL		1
5.3		BATTERY ADAPTOR, BOSCH GEN4, BCH3121 BAD2		1
5.4		SYSTEM CONTROLLER, BOSCH, BRC3200 KIOX 400, 20240205 DATA V26		1
5.5		CHARGE PORT/RE PLUG, BOSCH GEN4, BCH3901 COBS SOCKET		1
5.6		O-RING, 24 X 2, CHARGE PORT		1
5.7		INSERT SLEEVE, BOSCH BDU38, EB11.200.0GK		2
5.8		COLLAR SCREW, BOSCH BDU38, SHORT, EB11.200.12H, 20240627		2

REBUILD KITS

200020529 LTE CABLE PORT KIT		
300030173	SCREW, FH, M4 X 0.7, 10L	3
300040524	CABLE PORT COVER, HEAD TUBE, 2 PIECE	2
300040522	CLAMP, HT PORT DOUBLE, PA6	1
300040518	COVER-CABLE PORT, SINGLE, RIGHT EXIT	3
300030177	SCREW, FH, M4 X 0.7, 25L	3
300030174	SCREW, FH, M4 X 0.7, 16L	1
300040510	FRAME PLUG, CABLE PORT	2
300040542	COVER-CABLE PORT, BLANK, RIGHT EXIT	1
300040521	CLAMP, HT PORT SINGLE, PA6	2
300040523	COVER, HT PORT, BLIND, PA6	1
300030366	CLAMP BASE, 23MM X 3.5T, BRAKE HOUSING	1
300030367	COLLET NUT, M15 X 1.5, SHIFTER HOSE CLAMP	1
300030368	CLAMP CAP, HOUSING, G1.3	2
200020530 LTE CHARGE PORT KIT		
300040681	LID, CHARGE PORT, LTE V1	1
300040687	RECEIVER, CHARGE PORT, LTE V1	1
300040671	FHCS, M3 X 16L, SUS, ED BLACK	2
300040674	PIN, 2MM X 32L, KNURLED END	1
200020531 LTE 30% SHOCK RATE CHIP KIT		
300040691	SHOCK CHIP, 30%, THRU, LTE	1
300040692	SHOCK CHIP, 30% THREADED, LTE	1
200020532 LTE 25/35% SHOCK RATE CHIP KIT		
300040689	SHOCK CHIP, 25/35%, THRU, LTE	1
300040690	SHOCK CHIP, 25/35%, THREADED, LTE	1
200020533 LTE LOWER SHOCK MOUNT BOLT KIT		
300040662	SHOULDER BOLT, M8 X 1.25 X 59.5L	1
300030069	WASHER 8.5 X 12.5 X 0.5 MM	1

200020534 LTE BATTERY MOUNT KIT		
300040684	STRAP, BAD2, BATTERY BRACKET, LTE V1	1
300040685	BATTERY MOUNT BRACKET, LOWER, LTE V1	1
300040686	BATTERY MOUNT BRACKET, UPPER, LTE V1	1
300040657	BHCS, M6 X 1 X 16L, BATTERY MOUNT, T25	2
300040672	SHCS, M4 X 0.7 X 8L	8
300040677	WASHER, FLAT, 7 x 15 x 0.5, STAINLESS	2
200020535 LTE DU GUARD KIT		
300040683	GUARD, DRIVE UNIT, LTE V1	1
200020536 LTE DT GUARD KIT		
300040682	GUARD, DT, LTE V1	1
200020537 LTE CHAINSTAY/SEATSTAY GUARD KIT		
300040678	CS GUARD, UPPER, LTE V1	1
300040679	CS GUARD, LOWER, LTE V1	1
300040680	SS GUARD, LOWER, LTE V1	1
200020538 LTE CHAINGUIDE KIT		
300040695	CHAIN GUIDE MOUNT, 2 PIECE, LTE V1	1
300040567	CHAIN GUIDE, TOP	1
300030174	SCREW, FH, M4 X 0.7, 16L	1
300040560	SHCS, M4 X 0.7 - 6L, ULTRA LOW PROFILE	1

200020539		LTE ROCKER LINK KIT	
300040637	LINK, DS UPPER, LTE.1	1	
300040638	LINK, NDS UPPER, LTE.1	1	
300040641	BRIDGE, UPPER LINK, LTE.1	1	
300040667	SHCS, M4 X 14L, T25, SUS, ED BLACK	2	
HNA00000BA00000000000	BEARING, 3802-2RS, 15 X 24 X 7	4	
300020056	BEARING, 6901-2RS, 12x24x6	2	
300030337	INNER RACE EXTENSION 10MM	2	
300030355	FHCS, FLAT HEAD, M5 X 0.8 X 14	2	
200020540		LTE SWITCH LINK KIT	
300040636	SWITCH LINK, LTE.1	1	
300040642	SPACER, 18 X 15.2 X 39L	2	
HNA00000BA00000000000	BEARING, 3802-2RS, 15 X 24 X 7	4	
200020541		LTE TIMING LINK KIT	
300040639	TIMING LINK, DS, LTE.1	1	
300040640	TIMING LINK, NDS, LTE.1	1	
300020057	BEARING, 11197 LLU MAX, BO (11X19X7)	4	
200020543		LTE MOTOR MOUNT BOLT KIT	
N/A	INSERT SLEEVE, BOSCH BDU38, EB11.200.0GK	2	
N/A	COLLAR SCREW, BOSCH BDU38, SHORT, EB11.200.12H	2	
200020544		Rim Magnet	

200020542		LTE FRAME ASSEMBLY HARDWARE KIT	
300040693	STANDOFF, DU GUARD, LTE V1	1	
300040694	WHEEL CHIP, SEATSTAY, LTE	2	
300040643	COLLET AXLE, 15MM, 72L SHAFT, 10L THREAD	2	
300040644	KEYED NUT, CHAINGUIDE MOUNT, M15 X 1.5	1	
300040645	RACE EXTENDER 25 X 15.1 X 2.5L	4	
300040646	AXLE, LINK PIVOT, 15MM X 68.5L, M10X1, 25MM HEAD	1	
300040647	SHOULDER SCREW, MALE, 15MM X 16.5L, M10X1.0, 25MM HEAD	1	
300040648	RACE EXTENDER, 23 X 15 X 2.5L	2	
300040649	WASHER, M8 FHCS, 25MM X 3.4L, SS CHIP PIVOT	2	
300040650	INNER RACE REDUCER 13/15MM, 3.5L. 24 FLANGE SHORT	2	
300040666	FHCS, M8 X 20L, BLACK OXIDE	2	
300040670	BHCS, M5 X 10L, T25, SUS, ED BLACK	4	
300030336	INNER RACE REDUCER 12/15MM, 3.25L, 25.5 FLANGE	2	
300030335	INNER RACE REDUCER 12/15MM, 3.5L. 21 FLANGE	2	
300030062	WASHER 6.5 X 12.5 X 0.5 MM	3	
300030370	BHCS, CUSTOM, M6 X 1.0, 12L, STAINLESS	3	
300030378	COLLET WEDGE SUB-ASSEMBLY 15MM, M4 THREADED WEDGE BOLT	2	
300030367	COLLET NUT, M15 X 1.5, SHIFTER HOSE CLAMP	1	
300030327	SHOCK BOLT, 10 X 16L, M10X1	2	
300030330	BOLT, CLEVIS, M12X1.0, 12 x 25.75L, M5 INTERNAL THREAD	2	
300030325	SHOULDER SCREW, 11MM X 27L, M10 X 1.0X10.5L THREAD, ALLOY	2	
300030326	BOLT, M10X1.0X15, 11X6.5 SHOULDER	2	
300030362	COLLET NUT, M15, 9.5 THICK, ROUND CAP	1	
300040747		LTE RANGE EXTENDER MOUNTING BRACKET KIT FOR MEDIUM	
300040745	LTE RANGE EXTENDER MOUNTING BRACKET FOR MEDIUM	1	
300030170	SHCS, M5 X 0.8 X 10L, LOW PROFILE, BLACK	2	
300030358	WASHER, 8.8 X 5.2 X 1.0	2	

ADDITIONAL INFORMATION

- To prevent the unauthorized use of your e-bike, secure the bike with a lock or remove the battery when not in use.
- Full suspension bikes have many moving parts. Caution should be used to avoid pinch points when operating or performing any maintenance on the bike.
- This bike is only intended for one user at a time. Additional users are not permitted on this bike.
- Baggy clothing should be avoided while riding this bike as excessively baggy clothing can get caught in chain.
- This bike should not be used to tow any cargo or trailers.
- The LTe is not equipped with any lighting equipment needed for nighttime riding. We can only recommend daytime operation.
- If riding in traffic, the use of a bell and lights is strongly recommended.
- The LTe is rated to a max system weight of 130Kg and an ASTM 4 rating, see Appendix A. Riding in higher numbered conditions increases the forces on the bicycle and the risk of injury to the rider.
- Be advised, use of a mountain bike will result in vibrations that will be transmitted to the rider. This is inherent to the sport and cannot be avoided.

STORAGE

- Make sure your bike is stored in an area that is free from hazardous conditions that could damage the bike or cause an obstruction. Extreme heat or cold should be avoided and any machinery that emits ozone or exhaust should not be near your bike when stored.
- Avoid wet conditions that can cause corrosion in certain metal alloys. UV light can damage or degrade bicycle components and should be avoided during storage.
- Properly service your bike prior to long term storage and when riding the first time after storage. See maintenance schedule in this manual for guidance.

TRANSPORT

Safe transport is critical for protecting the bicycle frame and its components from damage. Bikes can be awkward to lift, and proper lifting techniques should be used when loading or unloading your bike. Packing your bike should be done by a certified bike mechanic when possible. The use of a hard bike case is recommended for the highest level of protection. If the wheels are removed for transport, make sure the areas where the hub and axle were in the fork and rear triangle are sufficiently supported to avoid damage. If transported inside a vehicle, make sure all parts of the bike that contact the vehicle are padded properly. When transporting on the outside of the vehicle, make sure the bike is not exposed to hot exhaust or debris that can impact the bike while moving.

CLEANING

The best way to wash your bike is with a soft brush and rag, using soapy water or a mild cleaner such as Motorex Bike Clean or equivalent. Do not use harsh detergents or directly pressure wash any of the bearings, hardware or seals.

BATTERY SAFETY

- The Bosch battery is waterproof but do not submerge it in water or directly spray any electronic components with water – If the battery becomes damaged it must not be charged, used, or transported.
- In case of a battery fire, only use class D fire extinguisher to extinguish the flames.
- Only charge the battery with certified Bosch's battery chargers.
- Only use the approved Bosch batteries in the bicycle.
- See the Bosch PowerTube help center for further safety information:
<https://help.bosch-ebike.com/us/help-center/powertubesbes3>
- Call2Recycle.com has created a program to recycle E bike batteries once they are at the end of their life. For more information, contact your dealer or visit <https://wwwcall2recycle.org/e-bikes/> to find your closest recycling drop off location.

WARNING: Used batteries and electronic equipment may contain harmful substances which, if not properly disposed of, could damage the environment and your health. Additionally, batteries and electronics may contain important raw minerals, which can be recycled. For this reason, you must not dispose of electrical components with household waste, but must return them after use to a specialty store, at a municipal collection point or at your nearest authorized Yeti Cycle dealer.

LIFETIME WARRANTY

HERE'S EVERYTHING YOU NEED TO KNOW ABOUT OUR LIFETIME WARRANTY:

All 2019 (or newer) frames, including the Switch Infinity, are covered for life against damage due to manufacturing defects for the original purchaser. Paint and finish are covered for 1-year. We will repair or replace, at our discretion, any frame we deem defective. There are a few conditions: you must register it online at yeticycles.com and you must take it to an authorized Yeti Cycles dealer for processing. Warranty does not cover damage due to ordinary wear and tear, neglect or intentional destruction. From a slingshot or your truck.

If you happen to have a crash or non-warranty situation, we'll get you back on the trail with a reasonable replacement price. Same conditions as above.

Lifetime Warranty applies to all 2019 and newer frames (including the SB100). Model year 2018 and older frames will be covered under our previous warranty (5-year or 2-year based on time of purchase).

Simple as that. No fine print.

DISCLAIMER

YETI Cycles is not responsible for any damages to you or others arising from riding, transporting or other use of your bicycle. In the event that your frame breaks or malfunctions, YETI Cycles shall have no liability or obligation beyond the repair or replacement of your frame pursuant to the terms outlined in the warranty.

*If you have a warranty concern, please contact your authorized Yeti Cycles dealer.

YETI CYCLES

621 Corporate Circle, Unit
B Golden, CO 80401

(p) 303-278-6909

(f) 303-278-6906

yeticycles.com

BUSINESS HOURS

Monday-Friday

8AM-11:30AM

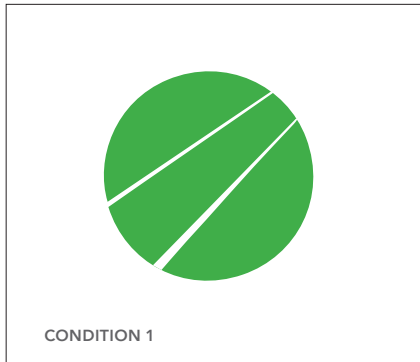
1:00PM-5:30PM (MST)

EPAC ACCORDING TO EN 17404/15194
CUT OFF SPEED: 20 MPH / 25 KM/H
MAX POWER: 0.25 KW
MAX PERMISSIBLE SYSTEM WEIGHT: 130 KG
CONFIGURATION WEIGHT: 18.14 KG
MODEL NAME: LTe
YEAR OF CONSTRUCTION: 7 JULY 2026

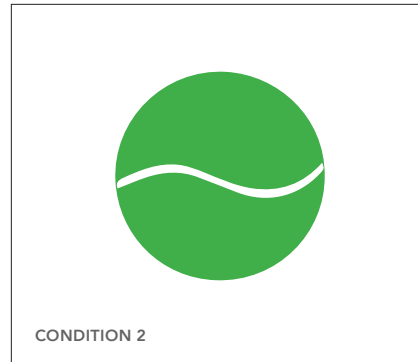


ASTM

STANDARD CLASSIFICATION FOR BICYCLE USAGE



This is a set of conditions for the operation of a bicycle on a regular paved surface where the tires are intended to maintain ground contact.



This is a set of conditions for the operation of a bicycle that includes Condition 1 as well as unpaved and gravel roads and trails with moderate grades. In this set of conditions, contact with irregular terrain and loss of tire contact with the ground may occur. Drops are intended to be limited to 15 cm (6 in.) or less.



This is a set of conditions for operation of a bicycle that includes Condition 1 and Condition 2 as well as rough trails, rough unpaved roads, and rough terrain and unimproved trails that require technical skills. Jumps and drops are intended to be less than 61 cm (24 in.).



This is a set of conditions for operation of a bicycle that includes Conditions 1, 2, and 3, or downhill grades on rough trails at speeds less than 40 km/h (25 mph), or both. Jumps are intended to be less than 122 cm (48 in.).



This is a set of conditions for operation of a bicycle that includes Conditions 1, 2, 3, and 4; extreme jumping; or downhill grades on rough trails at speeds in excess of 40 km/h (25 mph); or a combination thereof.

USA GENERAL CERTIFICATE OF CONFORMITY

Yeti Cycling, LLC (d.b.a. Yeti Cycles)
 621 Corporate Circle, Unit B, Golden, CO 80401 USA
 303.278.6909
 info@yeticycles.com

Product name(s): LTe
 Product model(s): C2, T3, T4
 Serial number range: 4A0FD010000 - 0L0619999

Citation to each CPSC product safety rule to which this product is being certified:

- 16 CFR part 1512 - REQUIREMENTS FOR BICYCLES

References to the relevant safety rules used or references to the other technical specifications in relation to which conformity is declared:

- UL 2849

Date and place of Testing:

October 2024
 Long Beach, CA USA
 March 2025



ACT LAB LLC USA
 3280 EAST 59TH STREET
 LONG BEACH, CA 90805, U.S.A.
 562.470.7215

ACT LAB LLC TAIWAN
 NO. 52, LN. 667, ZHONGSHAN RD.,
 SHENGANG DIST., TAICHUNG CITY, 429010 TAIWAN
 +886.4.25691456
 DAJA, TAIWAN

Date and place of manufacture:

November 2024 through December 2029
 No. 325, Sec. 2, Zhongshan Rd. Dajia 43769 TAIWAN

Contact information for the individual maintaining records of test results:

Peter Zawistowski, VP of Engineering
 Yeti Cycling, LLC (d.b.a. Yeti Cycles)
 621 Corporate Circle, Unit B, Golden, CO 80401 USA
 303.278.6909
 info@yeticycles.com

Signature:

Peter Zawistowski

Name of signatory: Peter Zawistowski
 Position of signatory: VP of Engineering
 Date of issue: 7 July 2026
 Location of issue: 621 Corporate Circle, Unit B, Golden, CO 80401 USA

EU DECLARATION OF CONFORMITY

Manufacturer:

Yeti Cycling, LLC (d.b.a. Yeti Cycles)
621 Corporate Circle, Unit B, Golden, CO 80401 USA

EU Authorized representative:

Yeti Cycles GmbH
Alte Miesbacher Str. 11, 83734 Hausham, Germany
supporteurope@yeticycles.com
Phone: +49 8026 2064990

Product name(s): LTe
Product model(s): C2, T3, T4
Serial number range: 4A0FD010000 - 0L0619999

The object of the declaration described above is in conformity with the relevant Union harmonization legislation:

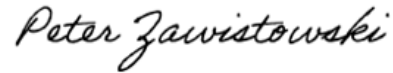
- Directive 2006/42/EC of the European Parliament and of the Council of 17 May 2006 on machinery, and amending Directive 95/16/EC (recast) – OJ L 157, 9.6.2006
- Directive 2014/30/EU of the European Parliament and of the Council of 26 February 2014 on the harmonization of the laws of the Member States relating to electromagnetic compatibility (recast)– OJ L 96, 29.3.2014
- Directive 2011/65/EU of the European Parliament and of the Council of 8 June 2011 on the restriction of the use of certain hazardous substances in electrical and electronic equipment – OJ L 174, 1.7.2011
References to the relevant harmonized standards used or references to the other technical specifications in relation to which conformity is declared:
 - EN 17404:2022
 - EN 15194:2017
 - ISO 4210:2015
 - EN ISO 12100:2010

Name and address of the person authorized to compile the technical file, who must be established in the Community:

Yeti Cycles GmbH
Alte Miesbacher Str. 11, 83734 Hausham, Germany
supporteurope@yeticycles.com
Phone: +49 8026 2064990

For and on behalf of Yeti Cycling, LLC

Signature:



Name of signatory: Peter Zawistowski
Position of signatory: VP of Engineering
Date of issue: 7 July 2026
Location of issue: 621 Corporate Circle, Unit B, Golden, CO 80401 USA

UK DECLARATION OF CONFORMITY

Manufacturer:

Yeti Cycling, LLC (d.b.a. Yeti Cycles)
621 Corporate Circle, Unit B, Golden, CO 80401 USA

UK Authorized representative:

Silverfish UK Ltd.
Units 3a-3c Woodacre Court, Saltash Parkway Industrial Estate,
Burraton Road, Saltash, Cornwall,
United Kingdom, PL12 6LY
Matthew.Osborne@silverfish-uk.com
Phone: 01752 843882
<https://www.silverfish-uk.com/>

Product name(s): LTe
Product model(s): C2, T3, T4
Serial number range: 4A0FD010000 - 0L0619999

The object of the declaration described above is in conformity with the relevant Union harmonization legislation:

- Supply of Machinery (Safety) Regulations 2008
- Electromagnetic Compatibility Regulations 2016

And with the following harmonized standards:

- BS EN 15194:2017
- BS EN 17404:2022
- BS EN ISO 4210:2015
- BS EN 12100:2010

Other Applied Technical Standards

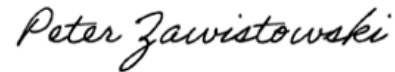
- ISO 4210-*

Name and address of the person authorized to compile the technical file, who must be established in the Community:

Silverfish UK Ltd.
Units 3a-3c Woodacre Court, Saltash Parkway Industrial Estate,
Burraton Road, Saltash, Cornwall,
United Kingdom, PL12 6LY
Matthew.Osborne@silverfish-uk.com
Phone: 01752 843882
<https://www.silverfish-uk.com/>

For and on behalf of Yeti Cycling, LLC

Signature:



Name of signatory:	Peter Zawistowski
Position of signatory:	VP of Engineering
Date of issue:	7 July 2026
Location of issue:	621 Corporate Circle, Unit B, Golden, CO 80401 USA