



OWNER'S MANUAL YETI SB5

TABLE OF CONTENTS

BRAND OVERVIEW	06
FRAME FEATURES	08
GEOMETRY	10
MAINTENANCE SCHEDULE	12
<i>SETUP</i>	
OVERVIEW	12
SHOCK SETUP	14
DERAILLEUR HANGER INSTALL	16
CABLE/LINE SETUP	18
<i>TECHNICAL</i>	
ASSEMBLY OVERVIEW	20
EXPLODED VIEWS	28
REBUILD KITS	32
<i>LEGAL</i>	
WARRANTY	36
CONTACT INFORMATION	37

CONGRATULATIONS ON YOUR PURCHASE OF A NEW YETI.

We are confident your new bicycle will exceed your expectations for value, performance, and ride quality. Each frameset and component has been custom specified and designed to enhance your riding experience. Whether you are a beginner cyclist, or a seasoned pro, your Yeti bicycle will provide endless hours of two-wheeled fun.

This model specific manual is designed to be used in conjunction with the general Yeti Owner's Manual and the manuals supplied by the suspension manufactures. If you did not receive the Yeti owner's manual or the manual provided by the suspension manufacturer download the materials off the Internet, or contact your local dealer.

Bicycling can be a hazardous activity even under the best of circumstances. Proper maintenance of your bicycle is your responsibility and when done properly helps reduce the risk of injury and damage to your bicycle.

Warning: Make sure you review and understand the warnings, instructions, and content of this manual and accompanying manuals for your bicycle.

Warning: Technological advances have made bicycles and bicycle components more complex and the pace of innovation is increasing. It is impossible for this manual or the accompanying manuals to provide all the information required to properly repair and/or maintain your bicycle. In order to help minimize the chances of an injury, it is critical for you to have work performed by an authorized Yeti retailer.

This manual outlines basic setup and maintenance recommendations of your new Yeti. Because it is impossible to anticipate every situation or condition that may occur during the assembly, setup, and maintenance of your bicycle, Yeti recommends that all service and repairs be performed by your local authorized Yeti Dealer.

This manual contains many "Warnings" and "Cautions" concerning the consequences of failure to maintain or inspect your bicycle. The word "Warning" indicates a potentially hazardous situation in which, if not avoided, could result in serious injury or death. The word "Caution" indicates a potentially hazardous situation in which, if not avoided may result in minor injuries or damage to your bicycle or a component of your bicycle. Be sure to read and understand all of the Warnings and Cautions listed in the manual.

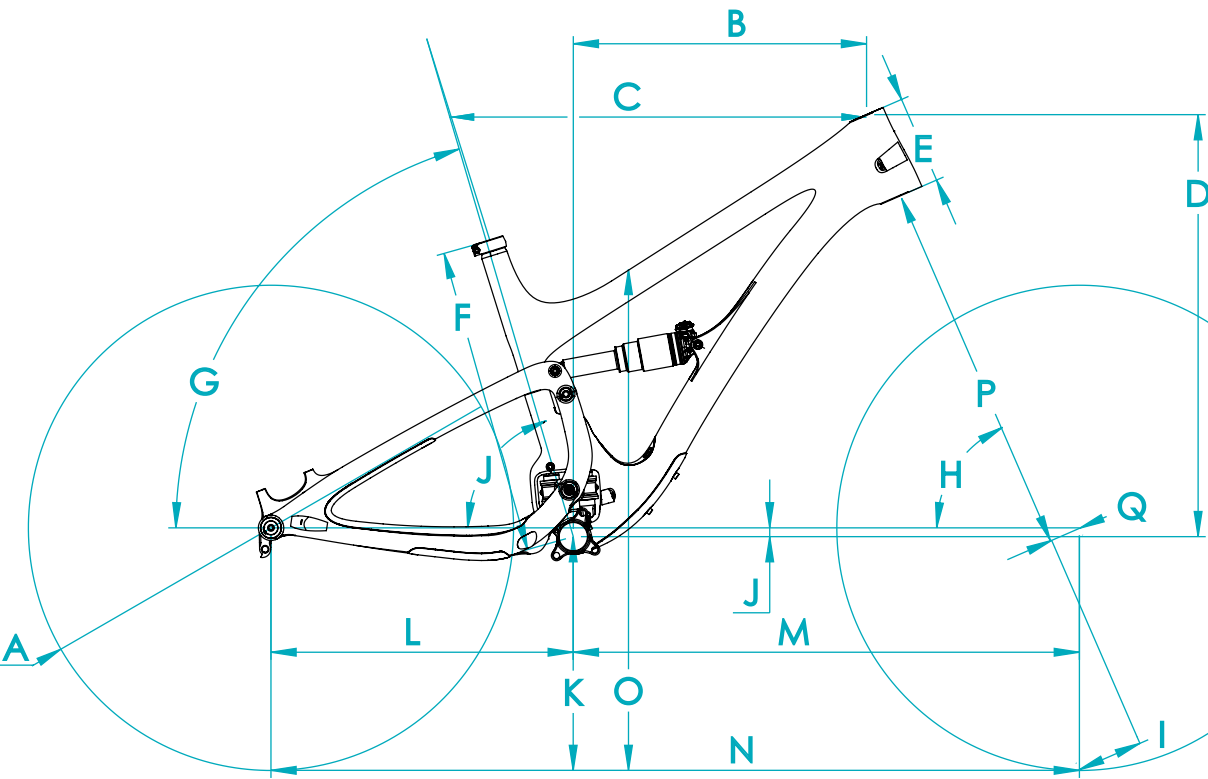
THE LOWDOWN ON THE SB5 AND ITS FEATURES.

1. SWITCH INFINITY TECHNOLOGY PATENTED SUSPENSION SYSTEM
2. TURQ AND CARBON SERIES FRAMES
3. COLLET AXLE SYSTEM ON PIVOTS REDUCES BEARING WEAR
4. OPTIMIZED FOR 1X DRIVETRAINS ONLY
5. ISCG 05 CHAINGUIDE MOUNTS
6. TAPERED INSET HEAD TUBE (44MM/56MM)
7. SUSPENSION BY FOX (210MM X 50MM)
8. CUSTOM DEBRIS AND CHAIN SLAP GUARDS
9. INTERNALLY MOLDED CARBON CABLE ROUTING TUBES
10. INTEGRATED AXLE AND DERAILLEUR HANGER SYSTEM
11. INDUSTRY LEADING LOW STAND OVER

1. The SB5 delivers 5 inches (127mm) of travel with our patented Switch Infinity Technology. Efficient pedaling performance while still smooth and continuous when the going gets rough.
2. Top of the top Turq Series frames and our Carbon series both offer the same geometry and efficiency in all models.
3. Colleted pivot axles help create a stiff interface between the front and rear triangles. Custom Enduro Max sealed bearings keep things moving freely at the pivots.
4. The SB5 does away with the front derailleur mount, making it a 1x drive specific frame. This increases stiffness in the frame, making the SB5 one of the stiffest bikes in our lineup.
5. ISCG 05 chain guide mounts are included on the SB5 in case you want to go for some extra drivetrain security in the rowdy sections.
6. Using our inset head tube on the SB5 allows for a larger head tube with more area, increased stiffness, and lower overall ride height without compromising any performance.
7. The SB5 uses a metric 50mm stroke, 210mm eye to eye Float EVOL shock, by Fox Racing Shox.
8. Custom guards on the seat stay, chain stay and down tube keep things quiet while riding and protect the frame.
9. The SB5 features internally molded routing tubes for all cables, making the bike quiet and clean looking as well as reducing maintenance and cable rub.
10. Dedicated 12 x 148 Boost dropouts and integrated hanger with axle threads for strength, stiffness, ease of hanger and wheel installation.
11. An already low stand over is made even lower in our small and extra small SB5 frames giving them the lowest stand over clearance in the trail bike world.

GEOMETRY

FOX 34 / 150MM FORK



	XS	SM	MD	LG	XL
A WHEEL	27.5"	27.5"	27.5"	27.5"	27.5"
B REACH	382	402	424	444	463
C EFF. TOP TUBE	552	578	603	629	654
D STACK	585	600	610	625	645
E HEAD TUBE LENGTH	100	116	127	144	165
F SEAT TUBE LENGTH	381	419	445	483	521
G EFF. SEAT TUBE ANGLE	73.7	73.7	73.6	73.5	73.5
H HEAD TUBE ANGLE	66.5	66.5	66.5	66.5	66.5
I MECH. TRAIL	96	96	96	96	96
J BB DROP	13	13	13	13	13
K EST. BB HEIGHT	338	338	338	338	338
L CHAINSTAY LENGTH	437	437	437	437	437
M FRONT-CENTER	697	705	731	758	786
N WHEELBASE	1116	1142	1168	1195	1222
O STANDOVER	668	683	724	737	749
P AXLE TO CROWN	539	539	539	539	539
Q FORK OFFSET	44	44	44	44	44

*All measurements are in millimeters

FIT

- X-SMALL 4'11" (150 CM) - 5'3" (160 CM)
- SMALL 5'3" (160 CM) - 5'7" (170 CM)
- MEDIUM 5'7" (170 CM) - 5'11" (180 CM)
- LARGE 5'11" (180 CM) - 6'3" (191 CM)
- X-LARGE 6'1" (191 CM) - 6'6" (198 CM)

KEEP YOUR YETI FRESH AND CLEAN

OVERVIEW

Following these guidelines will help maintain the performance of your bicycle and prevent more serious problems from arising. It is important to remember that service intervals can vary depending on climate, trail conditions and riding frequency. If you are unsure about working on your own bicycle, contact your authorized Yeti Dealer for more information on general bicycle maintenance.

SCHEDULE	WEEKLY	MONTHLY	3 MONTHS	ANNUALLY
CLEAN AND LUBE CHAIN	■			
CHECK TIRE PRESSURE	■			
CLEAN BIKE OF MUD AND DEBRIS	■			
CHECK BRAKE FUNCTION	■			
CHECK SHOCK PRESSURE, IF APPLICABLE		■		
CHECK FOR LOOSE BOLTS AND TIGHTEN, IF NECESSARY		■		
CHECK HEADSET AND TIGHTEN / LOOSEN, IF NECESSARY		■		
THOROUGHLY CLEAN PIVOT POINTS WITH A RAG (DO NOT LUBRICATE)		■		
LUBE INFINITY LINK EVERY 40 HRS. (YETI HEAVY MOLYBDENUM GREASE)		■		
CHECK / REPLACE BRAKE PADS, IF NECESSARY			■	
CHECK TIRES FOR WEAR			■	
CHECK SPOKE TENSION AND RETENTION, IF NECESSARY			■	
CHECK CHAIN FOR WEAR AND REPLACE IF NECESSARY			■	
COMPLETE TUNE-UP PERFORMED BY AN AUTHORIZED YETI DEALER				■

TORQUE

Yeti strongly recommends using a torque wrench when assembling your frame. Torque specifications for individual parts on the SB5 are listed below, as well as in the step by step assembly instructions later in the manual. For general bicycle maintenance please consult the torque specifications of the component you are adjusting.

KEY TORQUE SPECS

PART NUMBER	DESCRIPTION	TORQUE (NM)
300030151	BOLT TI MALE (M6 X 1 X 12MM)	7
300030057	INFINITY LINK BOLTS (M6 X 1)	12
300040484	UPPER LINK COLLET AXLE (M10 X 10)	3
300040486	UPPER LINK COLLET WEDGE (M5 X .8)	8
300040483	LOWER LINK COLLET AXLE (M10 X 10)	3
300040486	LOWER LINK COLLET WEDGE (M5 X .8)	8
300040485	MAIN PIVOT COLLET AXLE (M15 X 1.5)	3.5
300040454	MAIN PIVOT COLLET WEDGE (M8 X 1.25)	14

SHOCK SETUP

YETI TIPS

Inspect your shock for any visible damage. If oil is leaking or you notice any damage to the surfaces or seals, please contact the Fox Racing Shox service center for repair at 800. FOX.SHOX or your local bike shop.

Shock set-up can fluctuate greatly based on the rider. The set-up guide is intended as a base line to get the rider started. Experiment with your settings to find the set-up that works best for you.

We recommend starting out with 30% sag, which is 15mm of shock stroke. Your total shock stroke is 51mm's.

TOOLS NEEDED

- Shock Pump
- Metric Tape Measure



QUICK START GUIDE

ADJUSTMENT	SETTING
BASILINE AIR SPRING SETTING	RIDER WEIGHT -10 LBS
MEASURED SAG (MM)	15MM
REBOUND	5-7 CLICKS*
COMPRESSION ADJUSTMENT	OPEN

**All clicks are counted counter-clockwise, rotating from the all the way "in" or clockwise dial position.*



01. AIR PRESSURE

The main air spring controls sag. For the SB5 to ride properly it is important to setup the shock with the correct amount of sag. The SB5 works best with 15MM of measured sag. To increase sag, reduce the main spring air pressure. To reduce sag, increase the main spring air pressure. Always cycle the shock 5-10 times after any pressure adjustment to equalize the EVOL chamber before measuring sag.



02. SAG

Once you have set your baseline air pressure and cycled the shock you are ready to measure the sag. To measure the sag slide the travel indicator (O-Ring) up against the shock body. With a friend supporting the bike and with the compression set "open," sit on the saddle and allow your body weight to compress the shock. Once you have compressed the shock, get off the bike and measure the distance between the shock body and the new position of the travel indicator (O-Ring). This is your sag.



03. REBOUND

Rebound is adjusted using the red knob located by the front shock mount. Clockwise will slow the rebound, counter clockwise will speed it up. Rebound needs to be tuned to rider preference and air spring pressure. Too slow and the bike will feel like it is not ready for the next bump. Too fast and it will feel like the bike is bucking you off after an impact.



04. COMPRESSION

Low-speed compression is adjusted in the "open" position using the black tabs and has 3 positions. 1 is wide open, 3 is more firm. This adjustment is subtle. The blue lever has 3 positions: Open, Medium and Firm. For our bikes, unless you are on pavement on the way to the trail, we recommend using the "open" setting. The Switch Infinity design will do the rest!

DERAILLEUR HANGER INSTALL

YETI TIPS

NOTE: The hanger cap is REVERSE THREADED. Be careful not to strip out the Hanger tool faces. The cap is marked with a tighten direction arrow.

Inspect the frame around the hanger seat for any suspicious damage to the carbon any time you replace a derailleur hanger, especially if you are replacing the hanger due to damage to the hanger.

TOOLS NEEDED

- 6mm Allen key
- Grease



01. HANGER PREP

Lightly grease the threads and outside surface of the hanger and cap where it interfaces with the frame. The hanger will fit into its space on the inside of the swing arm and should press easily into the frame.



02. HANGER CAP SEAT

Place the hanger into the recess on the inside of the swingarm. Thread the hanger cap into the hanger. The hanger cap REVERSE threads into the hanger from the outside of the swing arm. Start threading the cap by hand.



03. TIGHTENING

Using a 6mm allen key, tighten the hanger cap into the hanger. REMEMBER, it is REVERSE THREADED. Follow the "Tighten" arrow on the cap. Finish tightening with a torque wrench if available.

*Torque to 80 in/lbs (9Nm)

CABLE SETUP

The SB5 uses internal molded tubing to make cable threading a cinch! No more rattling cable housing in your frame and no more fishing for cables required. Simply thread your housing through the correct port and you are done.

Follow these simple instructions to get each housing in the right place.

Caution: The failure to properly route housing can cause malfunction of the mechanism that could result in injury.



REAR DERAILLEUR CONTINUED

The rear derailleur housing will exit the swing arm via the port on the side of the seat stay right in front of the rear derailleur. Create a gentle curve to the derailleur and adjust to the manufacturers specifications.

REAR BRAKE CONTINUED

The rear brake housing exits the swing arm on the inside of the chain stay and goes directly up to the caliper. If your caliper allows, adjust the housing attachment angle to reduce the bend in the cable as much as possible.



REAR BRAKE AND DERAILLEUR

Your rear brake and shifter housing should run parallel around the left side of the head tube. Run the shifter housing and the brake housing into the individual ports at the head tube. The brake housing will exit on the non-drive side port just in front of the Infinity Link. The shift housing comes out of the port on the drive side. Both housings will enter the swingarm directly as shown above on the right.

CONTINUED



INTERNALLY ROUTED SEAT POST

The SB5 is designed to use an internally routed dropper post. The cover on the top of the down tube right in front of the seat tube/down tube junction reveals the final routing for the seat post. Remove the cover using a 2.5mm allen wrench. This will expose the channel the dropper housing passes through. Thread your housing from the head tube down into that channel. Guide the housing through the channel and out the other end and into the seat tube. Once you have the seatpost installed and adjusted correctly, reinstall the cover.

FRAME ASSEMBLY

YETI TIPS

Make sure your tools are in good condition. A worn allen key can round the hex on a bolt not allowing for proper torque.

Torque settings are listed throughout the instructions and on page 13 of this manual. It is important to prep all bolt threads. The instructions denote whether to use a Loctite compound or grease.

TOOLS NEEDED

- 2.5mm allen key
- 5mm allen keys
- 4mm allen keys
- 10mm allen key
- Guide pin tool (Or two)
- Torque wrench
- Grease
- Blue (242) Loctite

Warning: Service on Yeti bicycles requires special knowledge and tools. Yeti Cycles recommends that all service and repairs be performed by an authorized Yeti Dealer



01.

All the parts you'll need to get your SB5 frame assembled. Please refer to the exploded view later in this manual for more information.



02.

Slip washers (300030214) onto and apply blue (242) Loctite to the 4 bolts (300030057) that secure the Switch Infinity Link to the frame.



03.

Insert the bolts with washers on them into the frame and hang the black Infinity Link spacers from them. Orient them so that the flat surfaces are facing the opening in the frame where the Infinity link will go.



04.

Rock the Infinity Link into place capturing the black spacers against the frame. Be sure that the spacers do not rotate when you are installing the link. Hold the link in place by hand and thread the bolts into the link.





05.

Using a torque wrench, finish tightening the Infinity Link bolts using a crossing pattern.

*Torque to 12 Nm



06.

Lightly grease the bearing surfaces on your link (200020261).



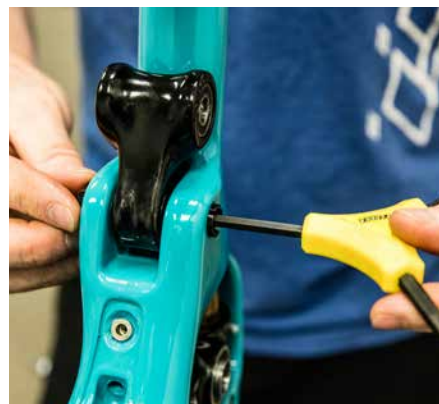
07.

Place the spacing washers (300020049) on the lower (narrow) end of the link. The grease should help hold them in place.



08.

Insert the link into the frame and insert the lower link axle (300040483) to hold it all in place. Despite the picture, apply grease to the threads and shaft of the pivot axle. No Loctite needed.



09.

Insert the collet axle nut (300030287) in the corresponding keyed hole and thread the axle in using a 5mm allen wrench. The axle acts like a headset and is meant to preload the bearings.

*Torque: 3 Nm



10.

Install the lower link collet wedge. (300040486) Grease the threads and the wedge. Tighten with a 4mm allen wrench and finish with a torque wrench.

*Torque: 8 Nm



11.

Grease the threads and shaft of the main pivot axle. (300040485)



12.

Slide the swingarm into place, aligning the main pivot. Push the main pivot axle through the swingarm and Infinity Link from the non-drive side. **NOTE:** You may want to use a guide pin (200020118) to assist in aligning the sleeve in the Infinity link.





13.

With the main pivot axle in place, grab the main pivot axle nut (300030285) and install it in the keyed recess on the drive side of the swingarm.



14.

Thread the main pivot axle into the main pivot axle nut using a 10mm allen wrench. Lightly tighten by hand and finish with a torque wrench

*Torque to 3.5 Nm



17.

Grease the upper link pivot pin (300040484) and push it through the swingarm and link from the non-drive side. **NOTE:** You may want to use a guide pin (200020118) to assist in aligning the sleeve in the link.



18.

With the upper link pivot axle in place, grab the upper link pivot axle nut (300030286) and push it into the keyed recess on the drive-side of the swingarm. Using a 5mm allen wrench, lightly tighten the axle. Finish with a torque wrench.

*Torque to 3 Nm



15.

Place the spacing washers (300020049) on the bearings on the upper bearings of the link. The light film of grease will hold them in place.



16.

Slide the link into the swingarm, aligning the upper link pivot. You may need to rotate the swingarm or move the Infinity Link up or down to get the pivot to align.



19.

Returning to the main pivot. Grease the threads and collet wedge of the main pivot collet wedge bolt (300040454) and thread it into the main pivot collet axle.



20.

Tighten firmly by hand and finish with a torque wrench.

*Torque to 14 Nm

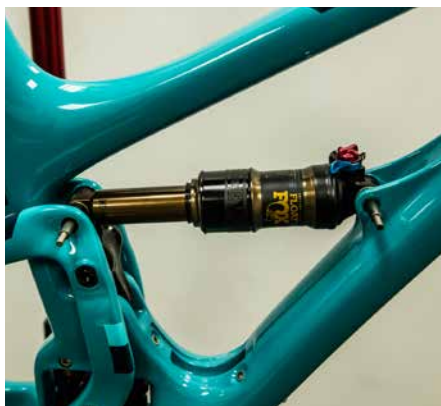




21.

Grease the threads and collet wedge on the upper link collet bolt (300040486) and thread it into the upper link pivot collet axle with a 4mm allen wrench. Firmly tighten by hand and finish with a torque wrench.

**Torque to 8 Nm*



23.

With the front mount guide pin in place, align rear shock mount with a second guide pin. NOTE: If a second guide pin is not available simply install the front mount hardware (see steps 24 and 25) and re-use the guide pin in rear shock mount.



22.

Slide the shock into place in the frame. Align the front shock mount using a guide pin (200020118) first.



24.

Place a 8.5mm x 12.5mm washer (300030069) over the front shock mounting pin (300030153) and slide the mounting pin over the blunt end of the guide pin, pushing it through the frame.



25.

Place the 6.5mm x 12.5 washer (300030062) over a Male Ti bolt (300030151). Apply Blue LocTite to the threads. Using two 5mm allen wrenches tighten the male bolt into the shock mounting pin. Finish using a torque wrench.

**Torque to 7 Nm*



27.

Place the 6.5mm x 12.5 washer (300030062) over a Male Ti bolt (300030151). Apply Blue LocTite to the threads. Using two 5mm allen wrenches tighten the male bolt into the shock mounting pin assembly. Finish using a torque wrench.

**Torque to 7 Nm*



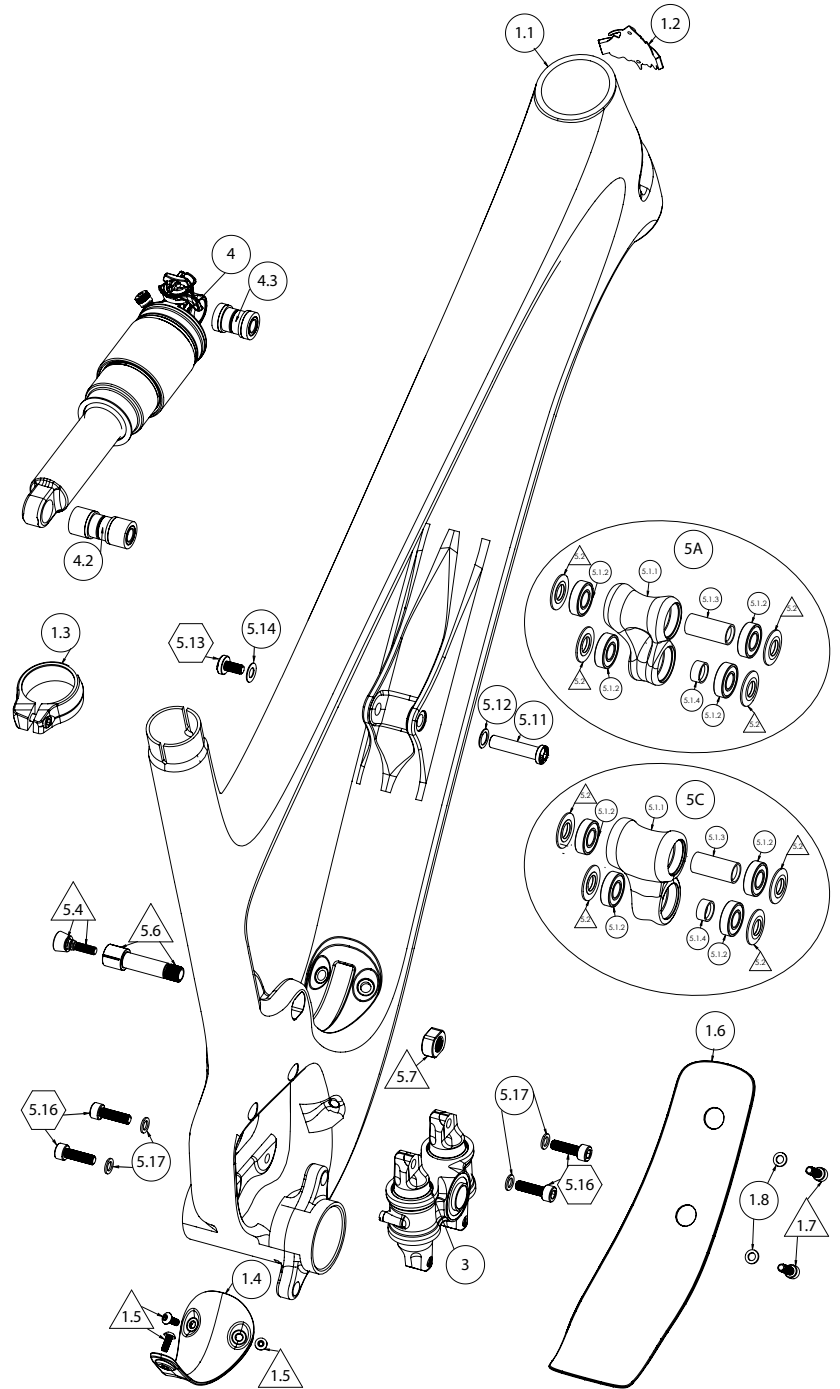
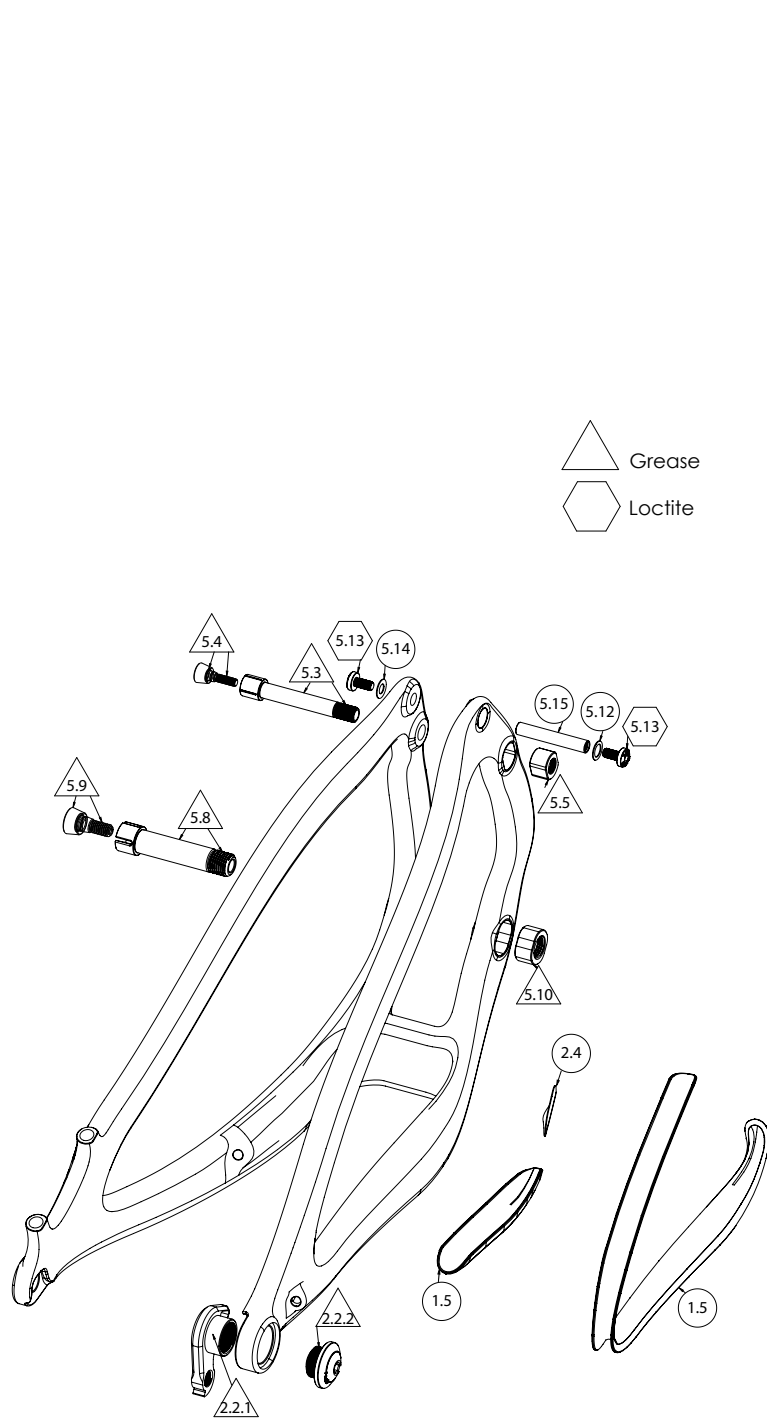
26.

Thread a Male Ti bolt (300030151) into the rear shock mounting pin (300030289) and thread all the way in. Place a 8.5mm x 12.5mm washer (300030069) over the shock mounting pin assembly and slide it through the swingarm and shock using the blunt end of the guide pin to guide it through.



FRAME ASSEMBLY IS COMPLETE.

EXPLODED VIEW



EXPLODED VIEW PARTS LIST

ITEM#	PART #	DESCRIPTION	QTY
1	N/A	SB5 FRONT TRIANGLE ASSEMBLY	
1.1	N/A	SB5 FRONT TRIANGLE	1
1.2	300070006	ICE AXE HEAD BADGE	1
1.3	300060072	YETI SEAT CLAMP STANDARD	1
1.4	300040495	FRONT TRIANGLE PORT COVER	1
1.5	300030291	(M4 X 0.7 X 10MM) BLACK	3
1.6	400100144	DT PROTECTOR	1
1.7	300030010	BOLT-CAP H20 (M5 X 0.8 X 16MM)	2
1.8	300030148	WASHER 5.1X8.9X1MM	2
2	N/A	SB5 SWING ARM ASSEMBLY	
2.1	N/A	SB5 SWING ARM	1
2.2	300060073	12X148 HANGER STD KIT GEN3	1
2.2.1	300060074	12X148 HANGER STANDARD GEN3	1
2.2.2	300060075	12X148 HANGER CAP GEN3	1
2.3	400100141	SB5 CS/SS PROTECTOR	1
2.4	400100142	SB5 CHAINSUCK GUARD	1
2.5	400100143	SB5C CS LOWER PROTECTOR	1
3	200020201	FOX LINEAR BEARING 74.0MM ASSEMBLY	
4	N/A	SHOCK ASSEMBLY SB5	
4.1	N/A	FOX FLOAT DPS 210MM X 50MM	1
4.2	N.A	FOX MOUNT KIT 40.0MM	1
4.3	N/A	FOX MOUNT KIT 25.0MM	1
5	N/A	SB5 FRAME ASSEMBLY PARTS	
5.1A	200020266	SB5 ALLOY LINK (W/BEARINGS)	1
5.1C	200020260	SB5 CARBON LINK (W/BEARINGS)	1
5.1.1A	200020264	SB5 ALLOY LINK	1
5.1.1C	200020261	SB5 CARBON LINK	1

ITEM#	PART #	DESCRIPTION	QTY
5.1.2	300020050	BEARING 6900-2RS-MAX 22X10X6	4
5.1.3	300030281	SPACER 10MM X 29.0MM	1
5.1.4	300030282	SPACER 10MM X 6.0MM	1
5.2	300020049	INNER RACE EXTENDER 10MM	4
5.3	300040484	COLLET AXLE 10X53.5X13.0 M10X1.0	1
5.4	300040486	COLLET WEDGE SUB-ASSEMBLY 10MM	2
5.4.1	300030284	COLLET BOLT M5X.8	1
5.4.2	300030283	COLLET WEDGE 10MM	1
5.4.3	300040482	SPIRAL RETAINING RING	1
5.5	300030286	COLLET NUT M10X1X12MM	1
5.6	300040483	COLLET AXLE 10X30.5X9.0 M10X1.0	1
5.7	300030287	COLLET NUT M10X1X8MM	1
5.8	300040485	COLLET AXLE 15X52.5SX13.0T M15X1.5	1
5.9	300040454	COLLET WEDGE SUB-ASSEMBLY GEN2	1
5.9.1	300030268	COLLET BOLT M8X1.25	1
5.9.2	300030267	COLLET WEDGE 15MM	1
5.9.3	300040450	SPIRAL RETAINING RING	1
5.10	300030285	COLLET NUT M15X1.5X12MM	1
5.11	300030153	BOLT-TI-FEMALE 8.0X34.0MM GEN2	1
5.12	300030069	WASHER 8.5X12.5X0.5 MM	2
5.13	300030151	BOLT TI MALE M6X12.0MM	3
5.14	300030062	WASHER 6.5X12.5X0.5 MM	2
5.15	300030289	BOLT-TI-STUD 8.0X49.0MM	1
5.16	300030057	BOLT-CAP (M6 X 1 X 20 MM)	4
5.17	300030214	WASHER (10X6.2X1MM)	4

REBUILD KITS

PART #	DESCRIPTION	QTY
200020286	SB5 MASTER REBUILD KIT	
300020049	BEARING RACE EXTENDER 23X10	4
300020050	BEARING 6900 2RSMAX 22X10X6	4
300030057	BOLT CAP M6X1X20	4
300030062	WASHER SS 6.5MM ID 12.5 OD .5M	2
300030069	WASHER SS 8.5MM ID 12.5MM OD	2
300030151	BOLT TI MALE M6X 12MM	3
300030153	BOLT-TI-FEMALE 8.0X34.0MM	1
300030214	WASHER 10 X 6.2 X 1	4
300030281	SPACER 10X29.0MM	1
300030282	SPACER 10X6.0MM	1
300030285	COLLET AXLE NUT M15X1.5X12	1
300030286	COLLET AXLE NUT M10X1X12	1
300030287	COLLET AXLE NUT M10X1X8	1
300030289	STUD-TI-FEMALE 8X49.0MM	1
300030291	BOLT BUTTON HEAD M4X.7X10 BLACK	3
300040454	COLLET-WEDGE ASSEMBLY GEN2	1
300040483	AXLE COLLET 10X30.5SX9T	1
300040484	AXLE COLLET 10X53.5SX13T	1
300040485	AXLE COLLET 15X52.5SX13T	1
300040486	COLLET WEDGE ASSEMBLY - M10	2
300040495	PORT COVER SB5-C	1
200020288	SB5 BEARING REBUILD KIT	
300020050	BEARING 6900 2RSMAX	4
300030281	SPACER 10X29.0MM	1
300030282	SPACER 10X6.0MM	1

PART #	DESCRIPTION	QTY
200020287	SB5 HARDWARE REBUILD KIT	
300020049	BEARING RACE EXTENDER 23X10	4
300030057	BOLT CAP M6X1X20	4
300030062	WASHER SS 6.5MM ID 12.5 OD .5M	2
300030069	WASHER SS 8.5MM ID 12.5MM OD	2
300030151	BOLT TI MALE M6X12MM	3
300030153	BOLT-TI-FEMALE 8.0X34.0MM	1
300030214	WASHER 10 X 6.2 X 1	4
300030285	COLLET AXLE NUT M15X1.5X12	1
300030286	COLLET AXLE NUT M10X1X12	1
300030287	COLLET AXLE NUT M10X1X8	1
300030289	STUD-TI-FEMALE 8X49.0MM	1
300030291	BOLT BUTTON HEAD M4X.7X10 BLACK	3
300040454	COLLET-WEDGE ASSEMBLY GEN2	1
300040484	AXLE COLLET 10X53.5SX13T	1
300040483	AXLE COLLET 10X30.5SX9T	1
300040484	AXLE COLLET 10X53.5SX13T	1
300040485	AXLE COLLET 15X52.5SX13T	1
300040486	COLLET-WEDGE ASSEMBLY - M10	2
300040495	PORT COVER SB5-C	1
200020231	FOX LINEAR BEARING 74.0MM SB5	
200020201	FOX LINEAR BEARING 74.0MM ASSE	1
300030057	BOLT CAP M6X1X20	4
300030214	WASHER 10 X 6.2 X 1	4



REBUILD KITS CONTINUED

PART #	DESCRIPTION	QTY
400100147	PROTECTOR KIT SB5	
400100141	PROTECTOR SB5 CS/SS	1
400100142	PROTECTOR SB5 CHAIN SUCK	1
400100143	PROTECTOR SB5 CS LOWER	1
400100144	PROTECTOR SB5 DT	1
400100146	SB5 PROTECTOR DECAL KIT	1
	SB5 MISCELLANEOUS PARTS	
200020284	LINK CARBON SB5 MATTE W/BEARING	N/A
200020260	LINK CARBON SB5 GLOSS W/BEARING	N/A
200020266	LINK ALLOY SB5 W/BEARING	N/A
300060073	12X148 HANGER STD KIT BLACK	N/A
300060077	12X148 HANGER STD KIT TURQUOISE	N/A

WARRANTY

YETI LIMITED (5) FIVE YEAR FRAME WARRANTY

(applies to SB5.5 / SB5 / Beti SB5 / SB5+ / SB6 / ASR / Beti ASR / Infinity Link)

Yeti Cycles will repair or replace, at its option, any of the above listed frames it determines to be defective due to defective materials and/or workmanship. The (5) five year limited warranty is conditioned upon the bicycle being ridden under normal conditions and having been properly maintained. This warranty does not apply to the components attached to the frameset such as suspension components, wheels, drive train, brakes, seat post, handlebar and stem. This warranty applies only to the original owner and is non-transferable. This warranty is void if the bicycle was not properly assembled by an authorized Yeti dealer.

ADDITIONAL CONDITIONS

These limited warranties do not apply to normal wear and tear, nor to claimed defects, malfunctions or failures that result from abuse, neglect, improper assembly, improper maintenance, alteration, collision, crash or misuse. The original owner shall pay all labor charges connected with the repair or removal of all components. Under no circumstance does this limited warranty include the cost of travel or shipment to and from an authorized Yeti dealer. In order to exercise your rights under these limited warranties, the bicycle or frameset must be presented to an authorized Yeti dealer, together with proof of purchase.

**The above warranties have been in effect since January 2012. For warranty information on Yeti frames sold prior to that date please consult your local authorized dealer.*

NO FAULT REPLACEMENT POLICY

Yeti Cycles will make replacement parts available at a minimum charge to the original owner in the event of a crash or any other non-warranty situation. Yeti Cycles does this at its sole discretion and reserves the right to refuse this offer.

PRODUCT LIFE CYCLE

Every YETI frameset has a useful product life cycle. The length of that useful product life cycle will vary depending on the construction and the materials of the frameset, maintenance and care the frameset receives, and the amount and type of use the frameset is subjected to over its life. YETI recommends that an authorized YETI dealer should inspect the frame for stress annually. Frame stress could cause potential failure and the signs are usually apparent in the form of cracks, fracture lines, deformation, dents, and any other visual indicators of abnormality. These safety checks for frame stress are important to prevent accidents, injury to the cyclist, and product failure of a YETI frameset.

DISCLAIMER

YETI Cycles is not responsible for any damages to you or others arising from riding, transporting or other use of your bicycle. In the event that your frame breaks or malfunctions, YETI Cycles shall have no liability or obligation beyond the repair or replacement of your frame pursuant to the terms outlined in the warranty.

**If you have a warranty concern, please contact your authorized Yeti dealer.*

YETI CYCLES

621 Corporate Circle, Unit B
Golden, CO 80401
(p) 303-278-6909
(f) 303-278-6906
www.yeticycles.com

BUSINESS HOURS

Monday-Friday
8AM-11:30AM, 1:00PM-5:30PM
(Mountain Time)