

YETI
CYCLES



YETI ARC OWNER'S MANUAL

TABLE OF CONTENTS

OVERVIEW	03
FRAME FEATURES	04
ARC GEOMETRY	05
FRAME STANDARDS	06
MAINTENANCE	07
FRAME ASSEMBLY	08
DROPPER POST INSERTION GUIDE	10
EXPLODED VIEW	11
REBUILD KITS	13
FREQUENTLY ASKED QUESTIONS	14
LIFETIME WARRANTY	15
CONTACT INFORMATION	15

CONGRATULATIONS ON YOUR PURCHASE OF A NEW YETI.

We are confident your new bicycle will exceed your expectations for value, performance, and ride quality. Each frameset and component has been custom specified and designed to enhance your riding experience. Whether you are a beginner cyclist, or a seasoned pro, your Yeti bicycle will provide endless hours of two-wheeled fun.

This model specific manual is designed to be used in conjunction with the general Yeti Owner's Manual and the manuals supplied by the suspension manufacturers. If you did not receive the Yeti Owner's Manual or the manual provided by the suspension manufacturer, download the materials off the Internet, or contact your local dealer. Bicycling can be a hazardous activity even under the best of circumstances. Proper maintenance of your bicycle is your responsibility and when done properly helps reduce the risk of injury and damage to your bicycle. **The ARC is made specifically for off-road use only.**

This manual outlines basic setup and maintenance recommendations of your new Yeti. It is impossible to anticipate every situation or condition that may occur during the assembly, setup, and maintenance of your bicycle, Yeti recommends that all service and repairs be performed by your local authorized Yeti Dealer.

This manual contains many "Warnings" and "Cautions" concerning the consequences of failure to maintain or inspect your bicycle. The word "Warning" indicates a potentially hazardous situation in which, if not avoided, could result in serious injury or death. The word "Caution" indicates a potentially hazardous situation in which, if not avoided may result in minor injuries or damage to your bicycle or a component of your bicycle. Be sure to read and understand all of the Warnings and Cautions listed in the manual.



WARNING: Make sure you review and understand the warnings, instructions, and content of this manual and accompanying manuals for your bicycle.

WARNING: Technological advances have made bicycles and bicycle components more complex and the pace of innovation is increasing. It is impossible for this manual or the accompanying manuals to provide all the information required to properly repair and/or maintain your bicycle. In order to help minimize the chances of an injury, it is critical for you to have work performed by an authorized Yeti retailer.

THE LOWDOWN ON THE ARC AND ITS FEATURES.

FRAME FEATURES

1 MODERN GEO TO ELEVATE HOW HARDTAILS CAN BE RIDDEN

Cutting-edge, high modulus carbon is hand laid to create our Turq Series frames. That same stiffness and efficiency can also be found in our Carbon Series frame sets.

2 HIGH MODULUS CARBON FIBER MAIN FRAME

The ARC does away with the front derailleur mount, making it a 1x drive specific frame.

3 INTEGRATED 2-BOLT ISCG-05 MOUNTS

2-bolt ISCG-05 chain guide mounts are there for you in case you need extra drivetrain security for rowdy sections.

4 INTEGRATED 41MM / 52MM TAPERED HEADTUBE

Designed around 130mm of travel, the ARC comes with the latest Fox Racing Shox 34 front fork.

5 CUSTOM DOWN TUBE PROTECTOR AND RIBBED CHAIN GUARDS TO DECREASE CHAIN SLAP NOISE

Custom seatstay, chainstay and down tube guards keep the ride quiet while protecting the frame.

6 RATTLE-FREE CABLE PORT ASSEMBLY SECURES CABLES AND HOSES TO PROVIDE A SILENT RIDE

The ARC is designed with rattle-free cable ports and internally molded cable routing tubes keeping the bike quiet and clean looking while reducing cable rub and overall maintenance.

7 INTERNALLY MOLDED CARBON TUBES FOR HASSLE-FREE CABLE ROUTING AND A QUIET BIKE

Configurable routing ports that provide a clean look to your frame when you ditch the cables and go wireless.

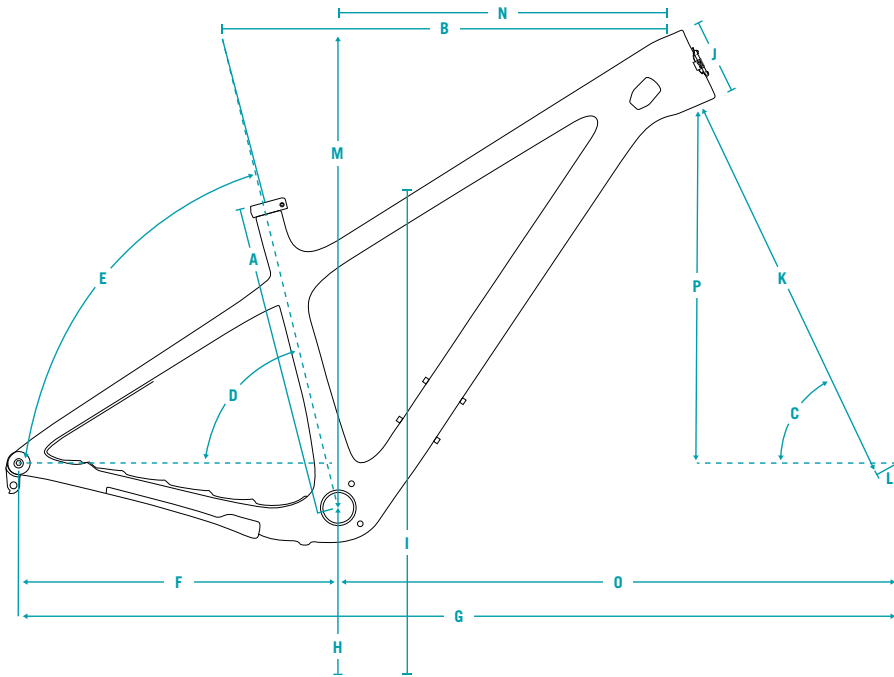
8 INTEGRATED AXLE AND UNIVERSAL DERAILLEUR HANGER SYSTEM

Dedicated 12 x 148 Boost dropouts with SRAM's universal derailleur hanger provide strength, stiffness and easy hanger and wheel installation.

9 DUAL WATERBOTTLE MOUNTING LOCATIONS

10 UNINTERRUPTED SEAT TUBE FOR COMPATIBILITY WITH WITH LONGER TRAVEL DROPPER POSTS

GEOMETRY ARC



	130MM FORK	SM	MD	LG	XL
A	SEAT TUBE LENGTH	380	410	450	495
B	EFF. TOP TUBE LENGTH	577	604	626	653
C	HEAD TUBE ANGLE°	67.0	67.0	67.0	67.0
D	EFF. SEAT TUBE ANGLE°	76.0	76.0	76.0	76.0
E	ACTUAL SEAT TUBE ANGLE°	75.0	75.0	75.0	75.0
F	CHAINSTAY LENGTH	433	433	433	433
G	WHEELBASE	1143	1172	1194	1223
H	ESTIMATED BB HEIGHT	310	310	310	310
I	STANDOVER	723	722	720	720
J	HEAD TUBE LENGTH	95	103	110	120
K	FORK (AXLE TO CROWN)	544	544	544	544
L	FORK (OFFSET)	44	44	44	44
M	STACK	632	639	645	654
N	REACH	420	445	465	490
O	FRONT CENTER	710	739	761	790
P	VERTICAL FORK TRAVEL	120	120	120	120

FIT

SMALL	5'1" (155 CM) – 5'7" (170 CM)
MEDIUM	5'5" (165 CM) – 5'11" (180 CM)
LARGE	5'10" (178 CM) – 6'3" (191 CM)
X-LARGE	6'1" (185 CM) – 6'7" (200 CM)

FRAME STANDARDS



REAR TRAVEL	0MM
WHEEL SIZE	29"
FRAME SIZE	SM, MD, LG, XL
BOTTOM BRACKET	PF92
REAR WHEEL	148MM X 12MM (BOOST)
SEATPOST	31.6MM
CHAINLINE	55MM
HEADSET	INTEGRATED 41MM/52MM TAPERED
REAR BRAKE POST MOUNT	160MM
MIN/MAX CHAINRING	28T MIN/34T MAX
MIN MAX REAR ROTOR	160MM MIN/180MM MAX
AXLE SPEC	174MM M12X1

KEEP YOUR YETI FRESH AND CLEAN

MAINTENANCE OVERVIEW

Following these guidelines will help maintain the performance of your bicycle and prevent more serious problems from arising. It is important to remember that service intervals can vary depending on climate, trail conditions and riding frequency. Servicing your bike requires special knowledge and tools. If you are unsure about working on your own bicycle, contact your authorized Yeti Dealer for more information on general bicycle maintenance.

SCHEDULE	BEFORE EACH RIDE	MONTHLY	3 MONTHS	ANNUALLY
Clean and lube chain	•			
Check tire pressure	•			
Clean bike of mud and debris	•			
Check brake function	•			
Ensure all cable ends are covered with crimped cable end caps	•			
Check rims for deformations or cracks	•			
Check for loose bolts and tighten, if necessary		•		
Check headset and tighten/loosen, if necessary		•		
Check / replace brake pads			•	
Check tires for wear			•	
Check spoke tension, retention, if necessary			•	
Check chain for wear, replace if necessary			•	
Complete tune-up performed by an authorized Yeti Dealer				•

TORQUE

Yeti strongly recommends using a torque wrench when assembling your frame. Torque specifications for individual parts on the ARC are listed below, as well as in the step by step assembly instructions later in the manual. For general bicycle maintenance please consult the torque specifications of the component you are adjusting.

KEY TORQUE SPECS

PART #	DESCRIPTION	TORQUE (Nm)
300030010	SHCS, M5 X 0.8, 16L	4-5
300030177	SCREW, FH, M4 X 0.7, 25L	2-3
300030174	SCREW, FH, M4 X 0.7, 15L	3
300030173	SCREW, FH, M4 X 0.7, 10L	2-3
300060080	SRAM UNIVERSAL HANGER	25
300060078	YETI SEAT CLAMP, BOLT ON, 31.6	5

FRAME ASSEMBLY

YETI TIPS

Make sure your tools are in good condition. A worn allen key can round the hex on a bolt not allowing for proper torque.

Torque settings are listed throughout the instructions and on page 7 of this manual. It is important to prep all bolt threads. The instructions denote whether to use a Loctite compound or grease. Reference Exploded View for assembly part locations listed in parentheses.

WARNING: Service on Yeti bicycles requires special knowledge and tools. Yeti Cycles recommends that all service and repairs be performed by an authorized Yeti Dealer.

TOOLS NEEDED

- 2.5mm allen key
- 4mm allen key
- 8mm allen key
- Torque wrench
- Grease



01

Grease 4x H20 Bolts (2.2) and install with washers (2.1) to frame downtube.

Torque: **4-5 Nm**



02

Place a Head Tube Cable Port Cover (2.11) into each recess behind the head tube.



03

Place a Double Port Clamp (2.12) into the nondrive side cover and a Single Port Clamp (2.11) into the drive-side cover. Secure with M4 x 25L screws. Tighten until snug. Hardware can be torqued to **2-3 Nm** after housing installation.



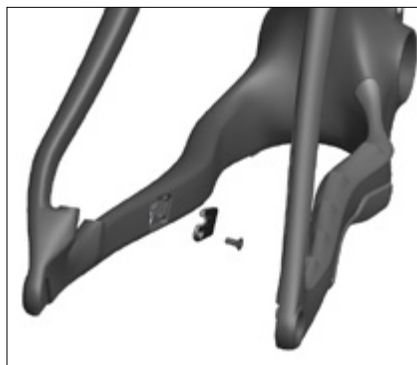
04

Assemble a Lower Port Clamp (2.15) to the Down Tube Port Cover (2.14) using a Flat Head M4 x 16L screw. Hardware can be torqued to **2-3 Nm** after housing installation.

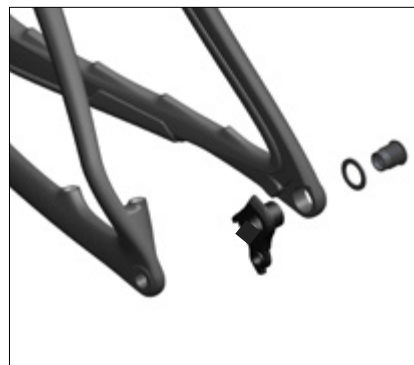
**05**

Install the Down Tube Port Cover (2.14) into the frame with a Flat Head M4 x 16L screw (2.16).

Torque: **3 Nm**

**06**

Install the Chainstay Cable Port Cover (2.7) to the non-drive side chainstay port and secure with Flat Head M4 x 10L. Hardware can be torqued to 2-3 Nm after housing installation.

**07**

Install Universal Hanger (2.4) into frame. Do not use grease. Note that hanger cap bolt is reverse threaded.

Torque: **25 Nm**

08

Note that different Port Clamps may be used for different configurations of shifter and dropper seatpost.

An extra single-port and blank cover are provided depending on your needs.

FRAME ASSEMBLY IS COMPLETE

DROPPER POST INSERTION GUIDE

Droppers are an essential tool for the modern mountain bike but proper clearance checks are required before heading out for your first ride.

The key checks are as follows:

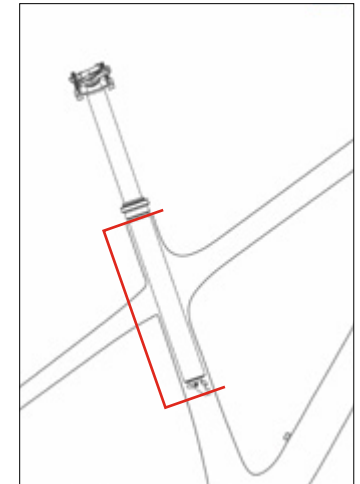
Ensure your dropper is short enough to fit into the seat tube without interfering with the frames structure but you are still able to achieve your desired BB-Saddle measurement. See the max insertion depth chart to confirm this distance for wired and wireless posts.

Always perform a final check to ensure your post is installed to at least the minimum insertion line.

We strive to spec out dropper lengths to provide the maximum drop for the highest percentage of our riders. There is a wide range of saddle heights for every frame size. There is a possibility saddle height could fall outside of this range. A small percentage of customers might find they require a shorter or longer post given their saddle height.

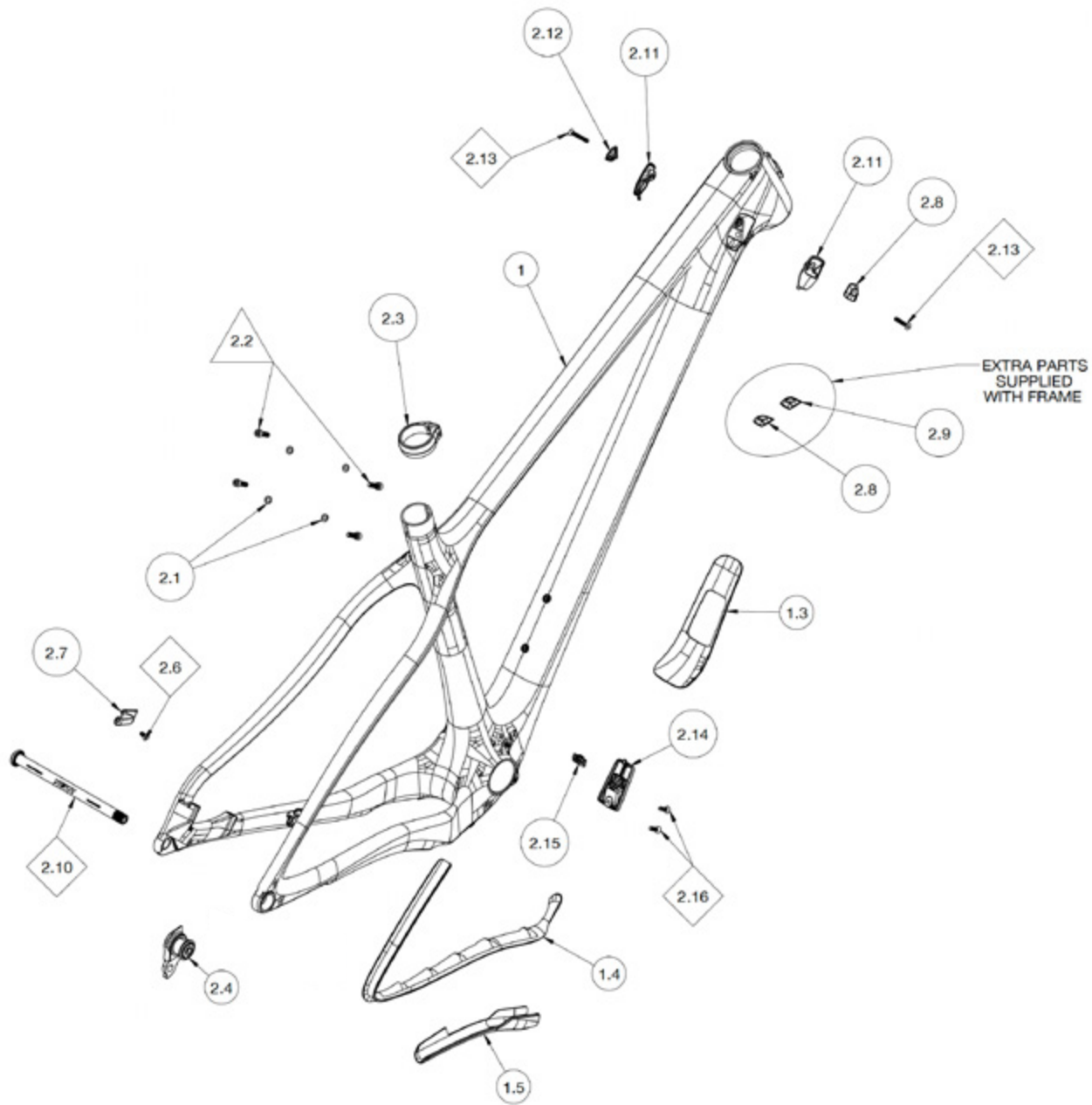
If you have any questions, please contact Yeti or your local bike shop.

MAX INSERTION WIRELESS DROPPER (MM)*		
FRAME SIZE	SMALL	355.6
	MEDIUM	385.3
	LARGE	425.4
	X-LARGE	470.4

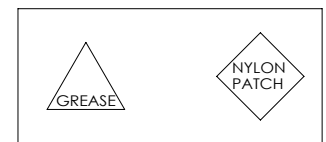


*Subtract 34mm for a cabled dropper to accommodate housing bend angle.

EXPLODED VIEW



PREP KEY



EXPLODED VIEW PARTS LIST

ITEM #	PART #	DESCRIPTION	TORQUE (NM)	QTY
1		ARC FRAME ASSEMBLY		1
1.3	400100209	DOWN TUBE GUARD, ARC		1
1.4	400100210	CS/SS PROTCOR, ARC		1
1.5	400100211	CS LOWER PROTECTOR, ARC		1
2		HARDTAIL ASSEMBLY PARTS		1
2.1	300030148	WASHER 5.1 X 8.9 X 1.0 MM		4
2.2	300030010	SHCS, M5 X 0.8, 16L		4
2.3	300060078	ASSEMBLY, YETI SEAT CLAMP, BOLT ON, 31.6		1
2.4	300060080	SRAM UNIVERSAL HANGER		1
2.6	300030173	SCREW, FH, M4 X 0.7, 10L		1
2.7	300040518	COVER-CABLE PORT, SINGLE, RIGHT EXIT		1
2.8	300040521	CLAMP, HT PORT SINGLE, PA6		1
2.9	300040523	COVER, HT PORT, BLIND, PA6		1
2.10	100425009	AXLE, M12X1 X 174L, BOLT-ON, BLACK		1
2.11	300040524	CABLE PORT COVER, HEAD TUBE, 2 PIECE		2
2.12	300040522	CLAMP, HT PORT DOUBLE, PA6		1
2.13	300030177	SCREW, FH, M4 X 0.7, 25L		2
2.14	300040519	CABLE PORT COVER, DOWN TUBE		1
2.15	300040514	CLAMP-LOWER PORT		1
2.16	300030174	SCREW, FH, M4 X 0.7, 15L		2

REBUILD KITS

PART #	DESCRIPTION	QTY
200020368	ARC MASTER REBUILD KIT	
300030173	CAP SCREW, FH, M4 x 0.7, 10L	1
300030174	CAP SCREW, FH, M4 x 0.7, 16L	2
300030177	CAP SCREW, FH, M4 x 0.7, 25L	2
300040514	CLAMP, DT CABLE PORT	1
300040518	CABLE PORT COVER, REAR CHANSTAY	1
300040519	CABLE PORT COVER, DOWN TUBE	1
300040521	CLAMP, HT PORT, SINGLE	2
300040522	CLAMP, HT PORT, DOUBLE	1
300040523	COVER, HT, NO PORT	1
300040524	CABLE PORT COVER, HT	2
400100213	ARC PROTECTOR KIT	
400100211	CS LOWER PROTECTOR, ARC	1
400100210	CS/SS PROTCTOR, ARC	1
400100209	DT GUARD, ARC	1
	HANGER	
300060080	SRAM UNIVERSAL HANGER, 20190506	1
	AXLE	
100425009	REAR AXLE 148x12 UDH BLACK	1

FREQUENTLY ASKED QUESTIONS

CAN I REPLACE OR MODIFY ANY YETI FRAME PARTS ON MY ARC?

All replacement frame parts for your ARC can be found through your local dealer or on our webstore. Only genuine Yeti parts should be used when replacing any parts on your frame. We know there are a lot of aftermarket products out there that seem legit but we do not have the ability to qualify and ensure all of these products are safe to use on our frames. If it is found that any frame part has been modified or replaced all warranties will be voided and all liability will be assumed by the customer.

CAN I CHANGE OR UPGRADE THE SPEC COMPONENTS ON MY ARC?

There are many options in aftermarket parts to upgrade or personalize your bike. Some parts are standardized, especially from the big brands like Fox, Shimano, SRAM etc. You should always confirm with a professional mechanic that your parts are the correct standard and correctly and securely mount to your bike without any interference or play. Pay special attention to all the bikes standards and check the fit before use

CAN I USE AN ANGLESET ON THE ARC?

The ARC was designed with an integrated headset which has the headset cups molded into the frame so you can easily drop the bearings into the cups. There are some aftermarket angle-sets available for this style headset however the frame was not tested for the use of these and therefore should not be used. Yeti's warranty will be voided if it is found an angleset was installed on the frame and all liability will be assumed by the customer. See "What travel fork is the ARC designed to use" for more information.

WHAT TRAVEL FORK IS THE ARC DESIGNED TO USE?

The ARC is designed to run a 130mm travel fork. We tested this frame to 20mm over the spec fork. So if you're feeling the need to beef up the fork you can run up to a 150mm fork no problem. Bottom line - max axle to crown measurement of 564mm. Increasing your fork travel will slacken the head angle and seat tube angle and raise the bottom bracket. Running a shorter fork is fine too if that suits you. Shortening the fork will steepen the head angle and seat tube angle and lower the bottom bracket. For more geometry information, check out the geometry section.

HOW BIG OF A TIRE CAN I FIT ON THE ARC?

The short answer is the ARC can accept up to a 2.6" tire. There is great tire clearance on the ARC but tire sizes vary widely by manufacturers, so it is hard to give a number that works for all brands.

CAN I FIT A WATER BOTTLE INSIDE THE FRONT TRIANGLE?

Yes, we designed the ARC to accommodate a standard sized water bottle inside the front triangle and one under the down tube. We recommend using a side-entry cage for easiest access.

WHAT CRANKS AND BOTTOM BRACKET CAN I USE ON THE ARC?

The ARC bottom-bracket standard is PF92 [92mm] and only wide "q" factor cranks are compatible. It is readily compatible with Shimano, SRAM, and RaceFace cranks, but a fit check is required for other brands.

WHAT REAR WHEEL AXLE FITS ON MY ARC?

The ARC is designed to work exclusively with SRAM's Universal Derailleur Hanger at 12x148mm spacing. This axle had a thread pitch 12x1.0. Note that this axle is only compatible with frames specifically designed with the Universal Derailleur Hanger.

WHAT TYPE OF HEADSET DOES THE ARC USE?

The ARC uses an Integrated 41mm/52mm tapered headset. This system allows for the headset bearings to be contained inside the head tube for an overall lower ride height, more simplified installation, and increased stiffness.

HOW BIG OF A ROTOR WILL FIT ON THE FRAME?

The ARC has a direct mount rear brake tab and can run a 160mm rotor without the need for a brake adaptor. With the use of a brake adaptor the frame can accept up to a 180mm rotor.

CAN I RUN A STEALTH SEATPOST DROPPER ON THE ARC?

Yes. The ARC has routing options for stealth only.

WHAT CHAINLINE WAS THE ARC DESIGNED AROUND?

The ARC was designed around a 55mm chainline. Depending on the crank and chain ring configuration you can run other chainlines but you will have to do a clearance check first.

WHAT IS THE MAX SIZE SINGLE-CHAINRING THAT FITS ON THE ARC?

Without getting too technical, the max chainring size depends on the crank chainline and the chainring shape.

Shimano / SRAM 55mm chainline Boost cranks: 34t round / 32t oval

Minimum Chainring Size: 28t round / 30t oval

Confused? Ask your local dealer or call us 303.278.6909.

DOES THE ARC HAVE ISCG MOUNTS?

Yes. The ARC has an integrated 2-bolt ISCG '05 mount. It is designed to work best with low-profile modern guides; depending on the brand, some older models with larger upper guides may not fit. We always recommend performing a fit-check with a specific chainguide to confirm compatibility.

LIFETIME WARRANTY

HERE'S EVERYTHING YOU NEED TO KNOW ABOUT OUR LIFETIME WARRANTY:

All 2019 (or newer) frames, including the Switch Infinity, are covered for life against damage due to manufacturing defects for the original purchaser. Paint and finish are covered for 1-year. We will repair or replace, at our discretion, any frame we deem defective. There are a few conditions: you must register it online at yeticycles.com and you must take it to an authorized Yeti Cycles dealer for processing. Warranty does not cover damage due to ordinary wear and tear, neglect or intentional destruction. From a slingshot or your truck.

If you happen to have a crash or non-warranty situation, we'll get you back on the trail with a reasonable replacement price. Same conditions as above.

Lifetime Warranty applies to all 2019 and newer frames (including the SB100). Model year 2018 and older frames will be covered under our previous warranty (5-year or 2-year based on time of purchase).

Simple as that. No fine print.

DISCLAIMER

Yeti Cycles is not responsible for any damages to you or others arising from riding, transporting or other use of your bicycle. In the event that your frame breaks or malfunctions, YETI Cycles shall have no liability or obligation beyond the repair or replacement of your frame pursuant to the terms outlined in the warranty.

*If you have a warranty concern, please contact your authorized Yeti Cycles dealer.

YETI CYCLES

621 Corporate Circle, Unit
B Golden, CO 80401
(p) 303-278-6909
(f) 303-278-6906
yeticycles.com

BUSINESS HOURS

Monday-Friday
8AM-11:30AM (MST)
1:00PM-5:30PM (MST)