



YETI
CYCLES

**YETI SB140/LR 27.5
OWNER'S MANUAL**

TABLE OF CONTENTS

OVERVIEW	03
FRAME FEATURES	04
SB140 GEOMETRY	05
FRAME STANDARDS	06
MAINTENANCE	07
FRAME ASSEMBLY	08
SWITCH INFINITY BEARING ASSEMBLY	12
SEAT POST SET-UP	14
SWITCH INFINITY SERVICE	15
DROPPER POST INSERTION GUIDE	16
EXPLODED VIEW	17
REBUILD KITS	19
FREQUENTLY ASKED QUESTIONS	21
LIFETIME WARRANTY	23
CONTACT INFORMATION	23

CONGRATULATIONS ON YOUR PURCHASE OF A NEW YETI.

We are confident your new bicycle will exceed your expectations for value, performance, and ride quality. Each frameset and component has been custom specified and designed to enhance your riding experience. Whether you are a beginner cyclist, or a seasoned pro, your Yeti bicycle will provide endless hours of two-wheeled fun.

This model specific manual is designed to be used in conjunction with the general Yeti Owner's Manual and the manuals supplied by the suspension manufacturers. If you did not receive the Yeti Owner's Manual or the manual provided by the suspension manufacturer, download the materials off the Internet, or contact your local dealer. Bicycling can be a hazardous activity even under the best of circumstances. Proper maintenance of your bicycle is your responsibility and when done properly helps reduce the risk of injury and damage to your bicycle. **The SB140 is made specifically for off-road use only.**

This manual outlines basic setup and maintenance recommendations of your new Yeti. It is impossible to anticipate every situation or condition that may occur during the assembly, setup, and maintenance of your bicycle, Yeti recommends that all service and repairs be performed by your local authorized Yeti Dealer.

This manual contains many "Warnings" and "Cautions" concerning the consequences of failure to maintain or inspect your bicycle. The word "Warning" indicates a potentially hazardous situation in which, if not avoided, could result in serious injury or death. The word "Caution" indicates a potentially hazardous situation in which, if not avoided may result in minor injuries or damage to your bicycle or a component of your bicycle. Be sure to read and understand all of the Warnings and Cautions listed in the manual.

WARNING: Make sure you review and understand the warnings, instructions, and content of this manual and accompanying manuals for your bicycle.

WARNING: Technological advances have made bicycles and bicycle components more complex and the pace of innovation is increasing. It is impossible for this manual or the accompanying manuals to provide all the information required to properly repair and/or maintain your bicycle. In order to help minimize the chances of an injury, it is critical for you to have work performed by an authorized Yeti retailer.



THE LOWDOWN ON THE SB140 AND ITS FEATURES.

FRAME FEATURES

1 SWITCH INFINITY TECHNOLOGY PATENTED SUSPENSION SYSTEM

The SB140/LR delivers 140 MM of travel with our patented Switch Infinity Technology. Efficient pedaling performance while still smooth and continuous when the going gets rough.

2 HIGH MODULUS CARBON FIBER MAIN FRAME AND SWING ARM

High modulus carbon provides a stiff, strong and light weight chassis.

3 COLLET AXLE SYSTEM ON PIVOTS REDUCES BEARING WEAR

Colleted pivot axles help create a stiff interface between the front and rear triangles of the frame. Custom Enduro Max sealed bearings keep things moving freely at the pivots.

4 OPTIMIZED FOR 1X DRIVETRAINS ONLY

The SB140/LR does away with the front derailleur mount, making it a 1x drive specific frame. This increases stiffness in the frame.

5 ISCG 05 CHAINGUIDE MOUNTS

ISCG 05 chain guide mounts are included on the SB140/LR if case you want to go for some extra drivetrain security in the rowdy sections.

6 INTEGRATED HEAD TUBE (41MM/52MM)

Using our integrated head tube on the SB140/LR allows for a larger head tube with more area, increased stiffness, and lower overall ride height without compromising any performance.

7 SUSPENSION BY FOX

The SB140 uses a 210mm x 55mm Float DPS shock by Fox Racing Shox. The SB140LR uses a 210mm x 55mm Float X shock by Fox Racing Shox.

8 CUSTOM DEBRIS AND CHAIN SLAP GUARDS

Custom guards on the seat stay, chain stay and down tube keep things quiet while riding and protect the frame.

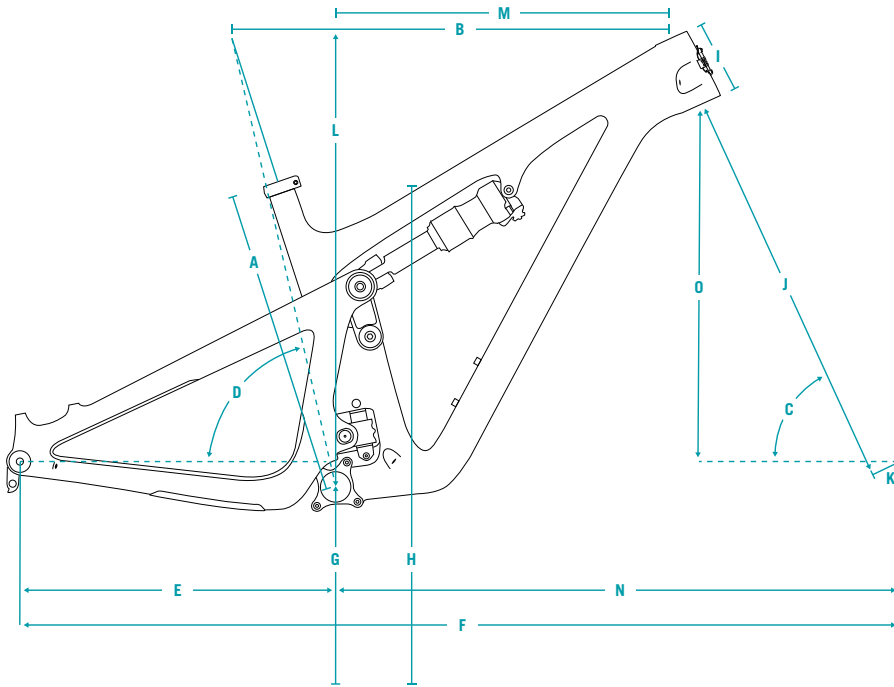
9 INTERNAL CABLE ROUTING

The SB140/LR features internal routing for all cables, making the bike quiet and clean looking as well as reducing cable rub on the paint.

10 INTEGRATED AXLE AND DERAILLEUR HANGER SYSTEM

Dedicated 12 x 148 Boost dropouts and integrated hanger with axle threads for strength, stiffness, ease of hanger and wheel installation.

GEOMETRY SB140 LR 27.5

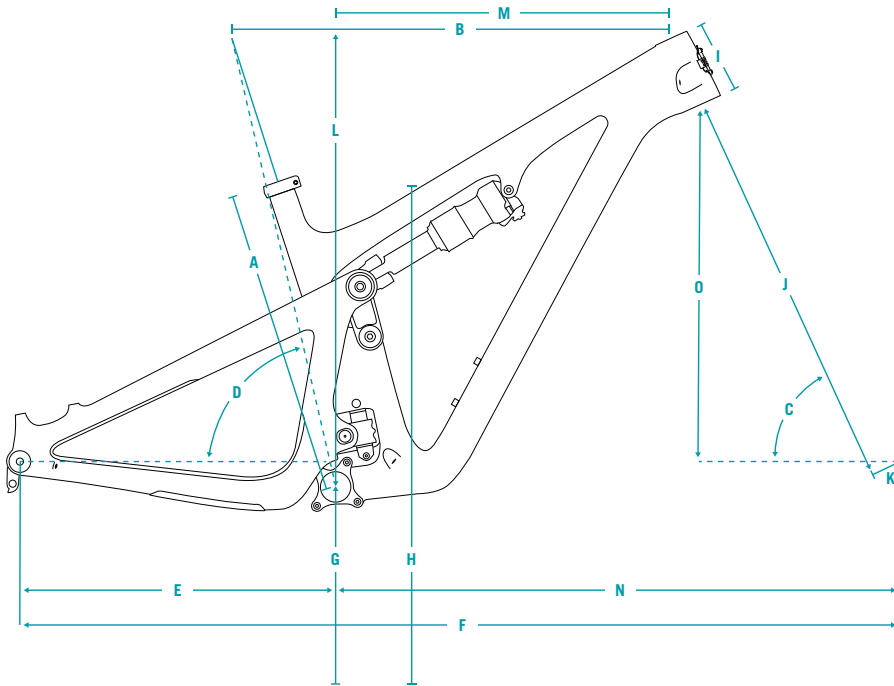


	160MM FORK	XS	SM	MD	LG	XL
A	SEAT TUBE LENGTH	355	380	410	450	495
B	EFF. TOP TUBE LENGTH	539	568	600	623	651
C	HEAD TUBE ANGLE°	64.6	64.6	64.6	64.6	64.7
D	ACTUAL SEAT TUBE ANGLE°	73.1	73.1	73.1	73.1	73.2
E	CHAINSTAY LENGTH	433	433	433	433	433
F	WHEELBASE	1148	1179	1211	1236	1266
G	ESTIMATED BB HEIGHT	343	343	343	343	343
H	STANDOVER	700	711	713	716	718
I	HEAD TUBE LENGTH	96	110	115	126	137
J	FORK (AXLE TO CROWN)	558	558	558	558	558
K	FORK (OFFSET)	37	37	37	37	37
L	STACK	585	598	603	613	623
M	REACH	401	426	456	476	501
N	FRONT CENTER	715	738	778	803	833
O	VERTICAL FORK TRAVEL	145	145	145	145	145

FIT

X-SMALL	4'11" (150 CM) - 5'3" (160 CM)
SMALL	5'1" (155 CM) - 5'7" (170 CM)
MEDIUM	5'5" (165 CM) - 5'11" (180 CM)
LARGE	5'10" (178 CM) - 6'3" (191 CM)
X-LARGE	6'1" (185 CM) - 6'7" (200 CM)

GEOMETRY SB140 27.5



	150MM FORK	XS	SM	MD	LG	XL
A	SEAT TUBE LENGTH	355	380	410	450	495
B	EFF. TOP TUBE LENGTH	538	567	598	621	649
C	HEAD TUBE ANGLE°	65.1	65.1	65.1	65.1	65.1
D	ACTUAL SEAT TUBE ANGLE°	73.6	73.6	73.6	73.6	73.6
E	CHAINSTAY LENGTH	433	433	433	433	433
F	WHEELBASE	1144	1175	1207	1232	1261
G	ESTIMATED BB HEIGHT	339	339	340	340	340
H	STANDOVER	702	707	710	712	714
I	HEAD TUBE LENGTH	96	110	115	126	137
J	FORK (AXLE TO CROWN)	548	548	548	548	548
K	FORK (OFFSET)	37	37	37	37	37
L	STACK	582	595	599	609	619
M	REACH	406	431	461	481	506
N	FRONT CENTER	711	742	774	799	828
O	VERTICAL FORK TRAVEL	136	136	136	136	136

FIT

X-SMALL	4'11" (150 CM) - 5'3" (160 CM)
SMALL	5'1" (155 CM) - 5'7" (170 CM)
MEDIUM	5'5" (165 CM) - 5'11" (180 CM)
LARGE	5'10" (178 CM) - 6'3" (191 CM)
X-LARGE	6'1" (185 CM) - 6'7" (200 CM)

FRAME STANDARDS

SB140/LR 27.5 | OWNER'S MANUAL



TRAVEL	140MM
WHEEL SIZE	27.5"
FRAME SIZE	XS, SM, MD, LG, XL
REAR SHOCK	210MM X 55MM
BOTTOM BRACKET	PF92
REAR WHEEL	148MM X 12MM (BOOST)
SEATPOST	31.6MM
CHAINLINE	52.5MM
HEADSET	INTEGRATED 41MM/52MM TAPERED
REAR BRAKE POST MOUNT	180MM
SHOCK HARDWARE	FRONT: M8X36MM, REAR: CUSTOM INSERT
MIN/MAX CHAINRING	28T MIN/34T MAX
MIN MAX REAR ROTOR	180MM MIN/200MM MAX
AXLE SPEC	171MM M12X1.5

KEEP YOUR YETI FRESH AND CLEAN

MAINTENANCE OVERVIEW

Following these guidelines will help maintain the performance of your bicycle and prevent more serious problems from arising. It is important to remember that service intervals can vary depending on climate, trail conditions and riding frequency. Servicing your bike requires special knowledge and tools. If you are unsure about working on your own bicycle, contact your authorized Yeti Dealer for more information on general bicycle maintenance.

SCHEDULE	BEFORE EACH RIDE	MONTHLY	3 MONTHS	ANNUALLY
Clean and lube chain	●			
Check tire pressure	●			
Clean bike of mud and debris	●			
Check brake function	●			
Ensure all cable ends are covered with crimped cable end caps	●			
Check rims for deformations or cracks	●			
Check for loose bolts and tighten, if necessary		●		
Check headset and tighten/loosen, if necessary		●		
Check / replace brake pads			●	
Check tires for wear			●	
Check spoke tension, retention, if necessary			●	
Check chain for wear, replace if necessary			●	
Complete tune-up performed by an authorized Yeti Dealer				●

TORQUE

Yeti strongly recommends using a torque wrench when assembling your frame. Torque specifications for individual parts on the SB140 are listed below, as well as in the step by step assembly instructions later in the manual. For general bicycle maintenance please consult the torque specifications of the component you are adjusting.

KEY TORQUE SPECS

PART #	DESCRIPTION	TORQUE (Nm)
300040485	MAIN PIVOT AXLE	12
200020327	SS PIVOT BOLT, FEMALE	16
300030296	COLLET AXLE 30.5X10.5 M10X1.0	13
300040454	COLLET WEDGE BOLT, LARGE	14
300030293	LINK, PIVOT HARDWARE, MALE, 15MM	15
300060073	12X148 DERAILLEUR HANGER	10
300030057	SHCS M6X1.0 20L, SWITCH LINK MOUNT	12
300040486	COLLET WEDGE BOLT, SMALL	8
100425006	AXLE, YETI BOLT ON, 12X148MM	12-15
300030357	AXLE, YETI BOLT ON, 12X148MM	12-15
300030151	BOLT, TI MALE, M6 X 12.0 MM	10
200020311	LOCKRING, 6902-2RS	20

FRAME ASSEMBLY

YETI TIPS

Make sure your tools are in good condition. A worn allen key can round the hex on a bolt not allowing for proper torque.

Torque settings are listed throughout the instructions. It is important to prep all bolt threads. The instructions denote whether to use a Loctite compound or grease.

WARNING: Service on Yeti bicycles requires special knowledge and tools. Yeti Cycles recommends that all service and repairs be performed by an authorized Yeti Dealer.

TOOLS NEEDED

- 3mm allen key
- 4mm allen key
- 5mm allen key
- 6mm allen key
- 10mm allen key
- Guide pin tool (or two)
- Cassette tool
- Torque wrench
- Grease
- Blue 243 Loctite



01

All the parts you'll need to get your SB140/LR frame assembled. Please refer to the exploded view later in this manual for more information.



02

Press the Shock Eyelet Spacer into the rear shock eyelet using an arbor press or vice.



03

Apply a light coat of grease to the threads of the Reat Triangle at the Seat Stay Pivots. Install 2x Bearing Lockring (200020311) with a cassette tool.

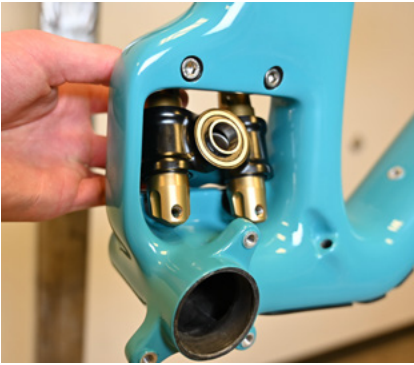
*Torque to **20 Nm**



04

Slide 4x Washer (300030214) over 4x M6 Cap Screw (300030057) prepped with Blue 243 Loctite.

Insert the 4x Cap Screws into the frame and place a black Infinity Link washer on each bolt. Orient the washers such that the flat surfaces are facing the window in the frame where the Switch Infinity is mounted.



05

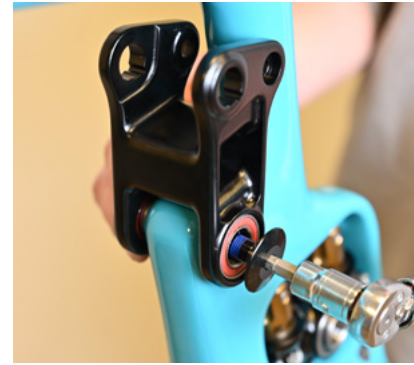
Install the Switch Infinity Link into the frame by rocking it into place over the bolts and black Switch Washers. The grease zerks should face the non-drive side. Tighten the 4x bolts by hand, then torque in a cross pattern.

*Torque to **12 Nm**



06

Grease shaft of the Link Pivot Female Bolt (200020328). Place the Link onto the Front Triangle as shown and secure with link Pivot female Bolt.



07

Install Male Link Pivot Bolt (300030293) prepped with Blue 243 Loctite into Link Pivot Female Bolt (200020328) as shown.

*Torque to **15 Nm**



08

Apply a light coat of grease to the inner surfaces of 2x Extender Bearing Races (300040505). Place one each into the Upper and Lower Shock Extenders (200020322 and 200020323).

Place the Upper and Lower Extenders together so that the bearings touch in the middle. Orient the Upper threaded extender toward the top and slide into Link (200020321). Secure with a Guide Pin.



09

Slide a 41mm Titanium Female bolt with Washer (300030069) through the Link/Extender Assembly. Secure with a Ti Male Bolt (300030151) & Washer (300030062) prepped with Blue 243 Loctite.

*Torque to **10 Nm**



10

Apply a light coat of grease to the Rear Triangle in the Main Pivot bores and grease shaft of Main Pivot Collet Axle (300040485) and prep threads with Blue 243 Loctite. Slide the Rear Triangle over the Switch Infinity Link and install Main Pivot Collet Axle (300040485) through assembly. Install Collet Nut (3000303285) and tighten Axle until any play is removed.

*Torque to roughly **12 Nm**



11

Grease threads and wedge of Large Collet Wedge Bolt (300040454). Install into the Main Pivot Axle.

*Torque to **14 Nm**



12

Grease shaft of 2x Seatstay Pivot Female Bolt (200020326).

Install one Seatstay Pivot Female Bolt (200020326) through the Rear Triangle and into the link.



13

Rotate Swingarm Forward and move Upper and Lower Shock Extenders out of the way.

Install one Keyed Bolt (200020327) prepped with Blue 243 Loctite from the inside of the link, threading the Female Bolt onto it. Draw the Keyed Bolt into assembly and make sure its key nests into the keyway on the Link bore.

Repeat process on opposite side.

*Torque to **16 Nm**



14

Open the Upper and Lower Shock Extenders and position the Shock into the frame, allowing it to sit between the two Extender jaws. Secure front eyelet with a Guide Pin.



15

Grease shaft of short Collet Axle (300030296) and prep threads with Blue 243 Loctite. Install from the Lower Extender through the Shock and threading into the Upper Extender.

*Torque to **13 Nm**



16

Grease threads and wedge of small Collet Wedge Bolt (300040486) and install into short Collet Axle.

*Torque to **8 Nm**



17

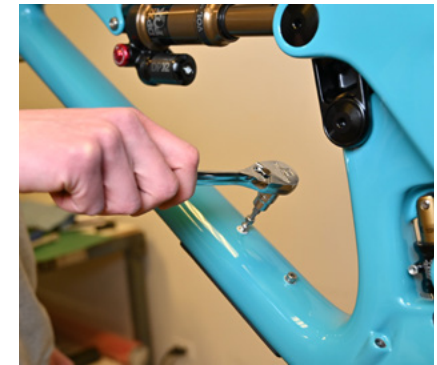
Install 45mm Titanium Female Bolt (300030297) with Washer (300030069) through the front shock mount.



18

Secure front shock mount with Titanium Male Bolt (300030151) prepped with Blue 243 Loctite and Washer (300030062).

*Torque to **10 Nm**



19

Install 2x Washer (300030148) onto 2x H20 Bolt (300030010) and grease threads. Install into front triangle and secure hand tight.

*Torque to roughly **4 Nm**

**20**

Install Cable Port Cover (300040454) onto frame with 2x Flat Head Bolt (300030299).

*Torque to **3-4 Nm**

**21**

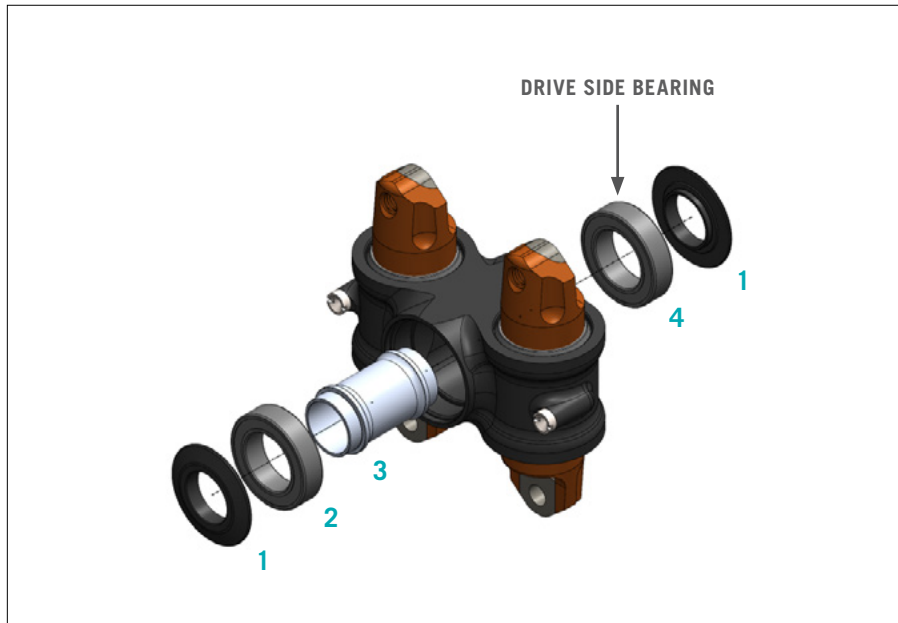
Grease outer surface of Derailleur Hanger (300060073). Install into Rear Triangle and secure with hanger Cap (300060075).

Note: Hanger is reverse threaded.

*Torque to **10 Nm**

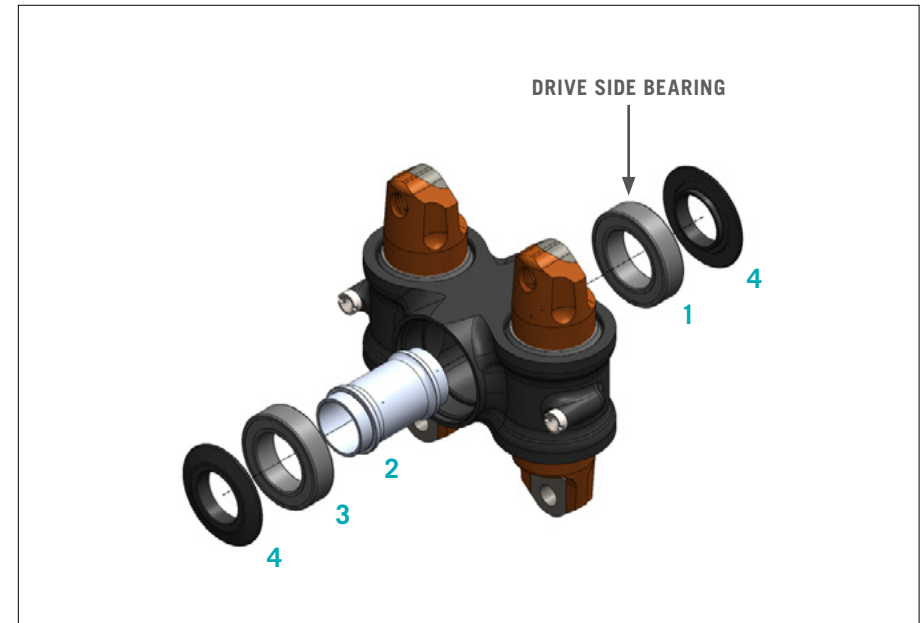
SWITCH INFINITY V2 BEARING ASSEMBLY

BEARING REMOVAL



- 1 Remove dust caps on the outside of the bearings.
- 2 Remove non-drive side bearing.
- 3 Remove axle sleeve from drive side bearing.
- 4 Remove drive side bearing.

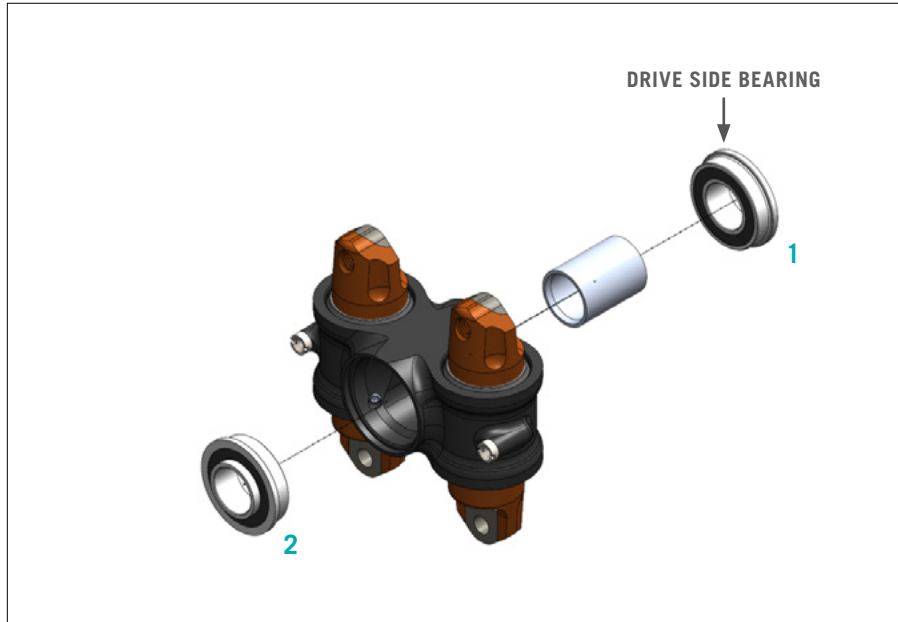
BEARING INSTALL



- 1 Press drive side bearing into Switch Infinity body.
- 2 Slide axle sleeve into drive side bearing.
- 3 Press non-drive side bearing onto sleeve.
- 4 Replace bearing caps.

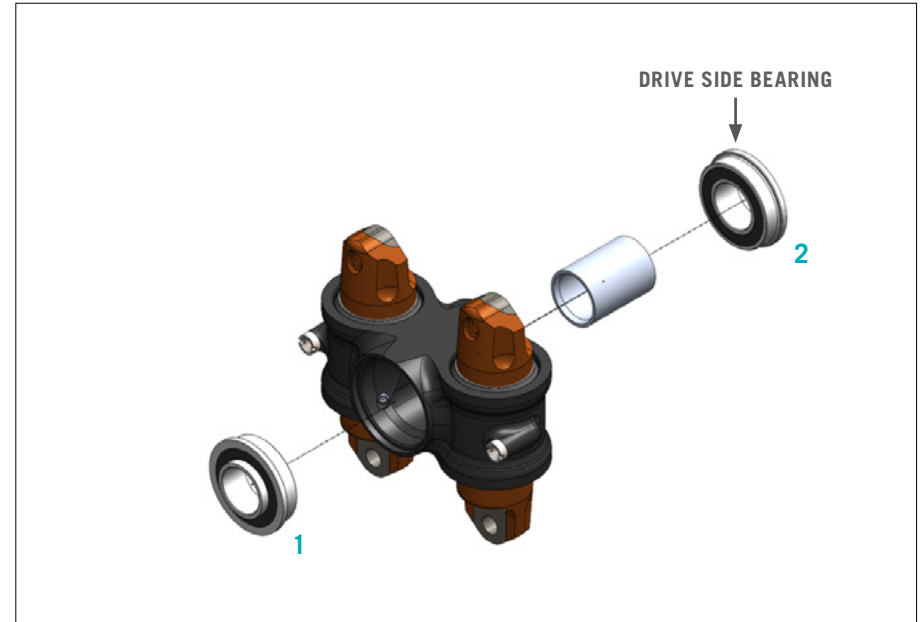
SWITCH INFINITY V1 BEARING ASSEMBLY

BEARING REMOVAL



- 1 Remove drive side bearing and axle sleeve
- 2 Remove non-drive side bearing

BEARING INSTALL



- 1 Press non-drive side bearing into switch infinity housing (ensure extended race is facing outward from switch infinity body).
- 2 Place axle sleeve in body and press drive side bearing into housing

SEAT POST SET-UP

STANDARD ROUTING SET-UP



01

With a 3mm allen key, remove the lower cable port access cover near the bottom bracket.



02

Install your seatpost housing into the head tube port, pushing until it exits near the lower cable port access hole.



03

Use your finger to help push the housing around the bend in the frame up into the seat tube.



04

While pushing the housing into the head tube port, continue pushing the cable up the seat tube through the access port until the housing exits the seat tube.

PARK TOOL SETUP



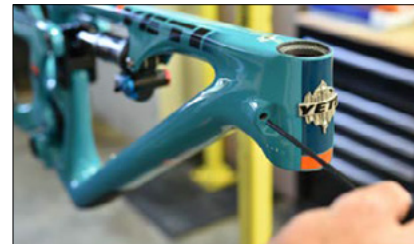
01

Remove the lower cable port access cover with a 3mm allen key.



02

Drop a Park Tool Router tool down the seat tube until it exits the access port.



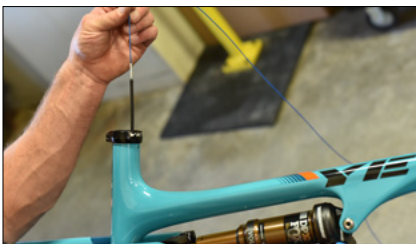
03

Push your seatpost housing into the frame from the headtube port until it exits near the access port.



04

Outside of the access port, connect the Park router tool to the housing.



05

Pull router tool back through the frame until your housing exits the seat tube.

HYDRAULIC SETUP



01

Route a section of shifter housing through the frame using the steps described in Standard Setups. Connect the double-barb to the shifter housing and the seatpost housing at the seat tube.

BRAKE

Push the brake line into the frame starting at the rear triangle, feeding it forward to the ports into the front triangle and out the head tube.



02

Push your seatpost housing into the frame from the headtube port until it exits near the access port.

SHIFTER

Outside of the access port, connect the Park router tool to the housing.

SWITCH INFINITY SERVICE



01

With a 5mm allen wrench, remove the main pivot Collet Wedge Bolt.



02

With a 10mm allen wrench, remove the Main Pivot Collet Axle. The Collet Nut on the drive side can remain in the frame.



03

Rotate your swingarm upwards to access both grease zerks and expose the whole Switch Infinity link. With a clean rag and mild detergent, clean any mud, dust, or debris off the Switch Infinity Link.



04

Using a needle-type grease gun, push new grease into the two Switch Infinity grease ports until you see grease extruding from the shaft seals.



05

Wipe off any excess grease that was pushed out of the seals.



06

Lower the swingarm and re-install your Main Pivot Collet Bolt prepped with Blue 243 Lcotite.

Torque: **11 Nm**



07

Install the Main Pivot Collet Wedge and torque to **14 Nm**.

FOX TRANSFER POST INSERTION GUIDE

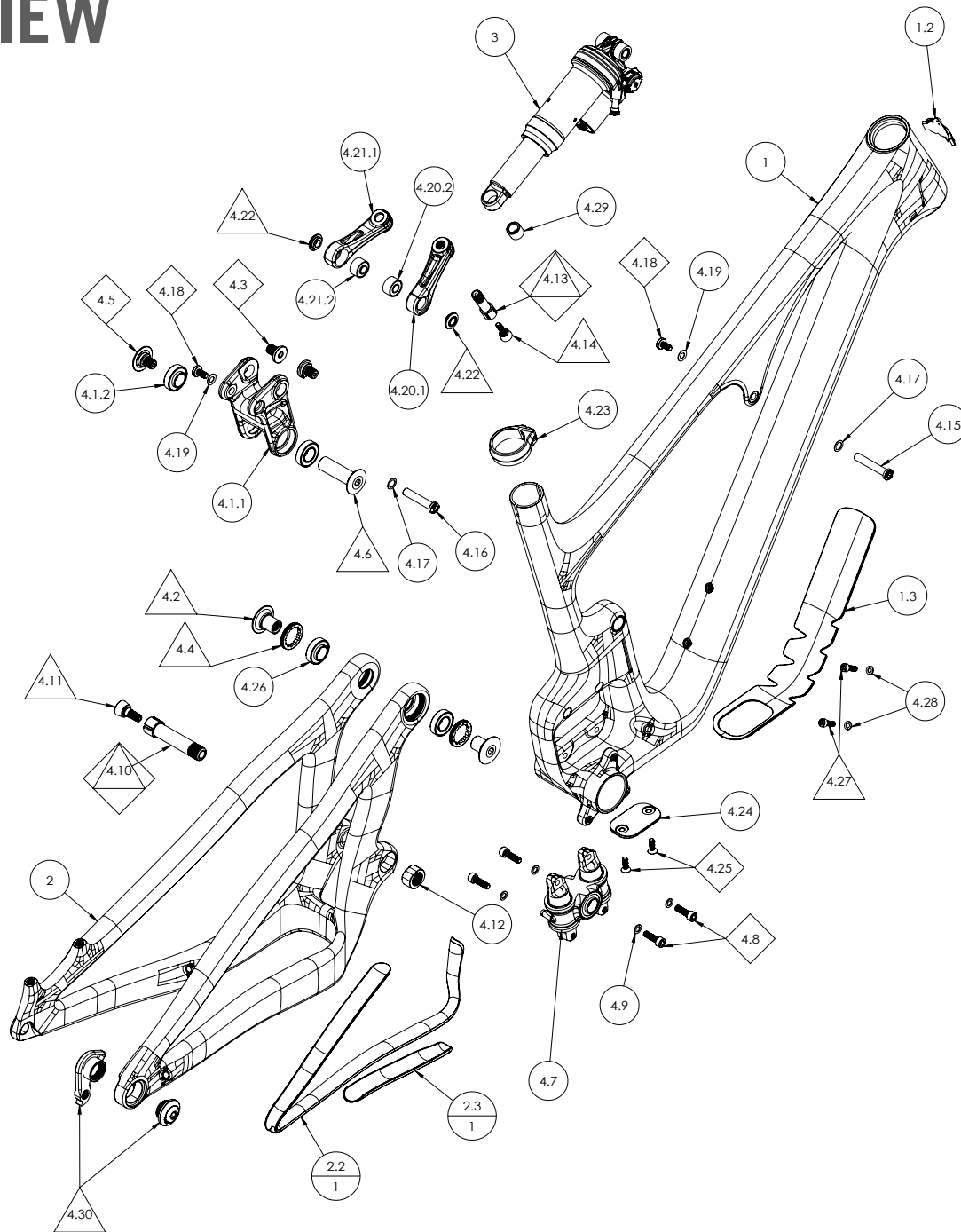
MEASURE FROM TOP OF SEAT TUBE TO BOTTOM OF DROPPER POST AS SHOWN BELOW (MEASUREMENTS IN MM)

NOTE: Saddle centered on straight length of rails.

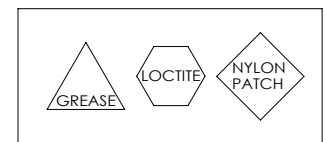
FOX TRANSFER POST SIZE		125	150	275
FRAME SIZE	X-SMALL	199	203	203
	SMALL	225	228	228
	MEDIUM	228	258	260
	LARGE	208	238	270
	X-LARGE	228	258	290

To check out our shock setup guide, paste <https://shocksetup.yeticycles.com/bikes> into your browser.

EXPLODED VIEW



PREP KEY



EXPLODED VIEW PARTS LIST

ITEM #	PART #	DESCRIPTION	TORQUE (NM)	QTY
1		SB140 FRONT TRIANGLE ASSEMBLY		1
1.1		SB140 FRONT TRIANGLE ASSEMBLY		1
1.2	300070006	ICE AXE HEAD BADGE		1
1.3	400100186	DT PROTECTOR		1
2		SB140 SWINGARM ASSEMBLY		1
2.1		SB140 SWINGARM		1
2.2	400100198	SB140 PROTECTOR CS/SS		1
2.3	400100199	SB140 PROTECTOR CS - LOWER		1
3		SB140 SHOCK SUB ASSEMBLY		1
4		SB140 SMALL PARTS ASSEMBLY		1
4.1		SB140 LINK SUB-ASSEMBLY		1
4.1.1	300040507	SB140 LINK		1
4.1.2	300020052	BEARING 6902-2RS EXTENDED, 15 X 28 X 7/10		2
4.2	200020326	BOLT, SS PIVOT, FEMALE		2
4.3	200020327	LINK PIVOT HARDWARE, KEYED, LONG		2
4.4	200020311	LOCKRING, 6902-2RS		2
4.5	300030293	LINK, PIVOT HARDWARE, MALE, 15MM		1
4.6	200020328	STUD, LINK BEARING, FEMALE, 15MM		1
4.7	200020201	SWITCH INFINITY G1 MECHANISM		1
4.8	300030057	BOLT, M6 X 1.0, 20L		4
4.9	300030214	WASHER 6.3X10X1 MM		4
4.10	300040485	COLLET AXLE 15MM		1
4.11	300040454	COLLET WEDGE SUB-ASSEMBLY 15MM		1
4.11.1	300030268	COLLET BOLT M8 X 1.25		1
4.11.2	300030267	COLLET WEDGE 15MM		1
4.11.3	300040450	SPIRAL RETAINING RING 0.37 X 0.349 INCHES		1
4.12	300030285	COLLET NUT M15 X 1.5		1
4.13	300030296	COLLET AXLE 30.5 X 10.5 M10 X 1.0		1
4.14	300040486	COLLET WEDGE SUB-ASSEMBLY 10 MM		1
4.14.1	300030284	COLLET BOLT M5 X .8		1
4.14.2	300030283	COLLET WEDGE 10MM		1
4.14.3	300040482	SPIRAL RETAINING RING 0.25 X 0.22 INCHES		1
4.15	300030297	BOLT MASTER, TI FEMALE, 8 X 45.0		1
4.16	300030298	BOLT MASTER, TI FEMALE, 8 X 41.0		1
4.17	300030069	WASHER 8.5 X 12.5 X 0.5 MM		2
4.18	300030151	BOLT, TI MALE, M6 X 12.0 MM		2
4.19	300030062	WASHER 6.5 X 12.5 X0.5 MM		2
4.20	200020322	ASSEMBLY SHOCK EXTENDER TOP (60MM)		1
4.20.1	300040502	SHOCK EXTENDER TOP (60MM)		1
4.20.2	300020032	BEARING, 398 MAX DBL, 8X19X10/11		1
4.21	200020323	ASSEMBLY SHOCK EXTENDER, BOTTOM (60MM)		1
4.21.1	300040503	SHOCK EXTENDER BOTTOM (60MM)		1
4.21.2	300020032	BEARING, 398 MAX DBL, 8X19X10/11		1
4.22	300040505	SHOCK EXTENDER BEARING EXTENSION		2
4.23	300060078	ASSEMBLY YETI SEAT CLAMP - BOLT ON 31.6		1
4.23.1		COLLAR, BOLT ON, YETI SEAT CLAMP, 31.6		1
4.23.2		BARREL NUT, YETI SEAT CLAMP, BOLT ON		1
4.23.3	300030010	BOLT, M5 X 0.8, 16L		1
4.24	300040504	CABLE PORT COVER		1
4.25	300030299	BOLT, FLAT HEAD, M5 X 0.8 X 16		2
4.26	300020052	BEARING 6902-2RS EXTENDED, 15 X 28 X 7/10		2
4.27	300030010	BOLT, M5 X 0.8, 16L		2
4.28	300030148	WASHER 5.1 X 8.9 X 1.0 MM		1
4.29	300030300	SHOCK EYELET SPACER		1
4.30	300060073	12 X 148 HANGER KIT G3		1

REBUILD KITS

PART #	DESCRIPTION	QTY
200020333	SB140 MASTER REBUILD KIT	
200020311	LOCKRING, SS PIVOT	2
200020322	SHOCK EXTENDER 60MM TOP W/BEARING	1
200020323	SHOCK EXTENDER 60MM BOTTOM W/BEARING	1
200020326	BOLT, SS PIVOT, FEMALE	2
200020327	LINK PIVOT HARDWARE, KEYED, LONG	2
200020328	STUD, LINK BEARING, FEMALE 15MM, 48.5L	1
300020045	BEARING F6902 2RS 28X15X 7 OUT	2
300020052	BEARING 6902 LLU MAX-E	4
300030057	BOLT CAP M6X1X20	4
300030062	WASHER SS 6.5MM ID 12.5MM	2
300030069	WASHER SS 8.5MM ID 12.5MM	2
300030151	BOLT-TI-MALE M6X12MM	2
300030214	WASHER 10 X 6.2 X 1	4
300030285	COLLET AXLE NUT M15X1.5X12	1
300030293	AXLE, MALE, 15MM X 16MM, M10X1.0	1
300030296	COLLET AXLE 30.5X10.5 M10X1.0	1
300030297	BOLT MASTER, TI FEMALE, 8 X 45.0	1
300030298	BOLT MASTER, TI FEMALE, 8 X 41.0	1
300030299	BOLT, FLAT HEAD, M5 X 0.8 X 16	2
300030300	SHOCK EYELET SPACER	1
300040454	COLLET-WEDGE ASSEMBLY GEN2	1
300040485	AXLE COLLET 15X52.5SX13T	1
300040486	COLLET-WEDGE ASSEMBLY - M10	1
300040504	CABLE PORT COVER	1
300040505	SHOCK EXTENDER BEARING EXTENSION	2

200020334	SB140 HARDWARE KIT	
200020311	LOCKRING, SS PIVOT	2
200020322	SHOCK EXTENDER 60MM TOP W/BEARING	1
200020323	SHOCK EXTENDER 60MM BOTTOM W/BEARING	1
200020326	BOLT, SS PIVOT, FEMALE	2
200020327	LINK PIVOT HARDWARE, KEYED, LONG	2
200020328	STUD, LINK BEARING, FEMALE 15MM, 48.5L	1
300030057	BOLT CAP M6X1X20	4
300030062	WASHER SS 6.5MM ID 12.5MM	2
300030069	WASHER SS 8.5MM ID 12.5MM	2
300030151	BOLT-TI-MALE M6X12MM	2
300030214	WASHER 10 X 6.2 X 1	4
300030285	COLLET AXLE NUT M15X1.5X12	1
300030293	AXLE, MALE, 15MM X 16MM, M10X1.0	1
300030296	COLLET AXLE 30.5X10.5 M10X1.0	1
300030297	BOLT MASTER, TI FEMALE, 8 X 45.0	1
300030298	BOLT MASTER, TI FEMALE, 8 X 41.0	1
300030299	BOLT, FLAT HEAD, M5 X 0.8 X 16	2
300030300	SHOCK EYELET SPACER	1
300040454	COLLET-WEDGE ASSEMBLY GEN2	1
300040485	AXLE COLLET 15X52.5SX13T	1
300040486	COLLET-WEDGE ASSEMBLY - M10	1
300040504	CABLE PORT COVER	1
300040505	SHOCK EXTENDER BEARING EXTENSION	2
200020335	SB140 BEARING REBUILD KIT	
300020032	BEARING 398 2RS MAX DBL ROW	2
300020045	BEARING F6902 2RS 28X15X - OUT	2
300020052	BEARING 6902 LLU MA-E	4

PART #	DESCRIPTION	QTY
200020039	SB140 PORT COVER KIT	
300030299	BOLT, FLAT HEAD, M5 X .08 X 16	2
300040504	CABLE PORT COVER	1
400100196	SB140 GEN1 PROTECTOR KIT	
400100186	UNIVERSAL DT PROTECTOR	1
400100198	SB140 CS/SS PROTECTOR	1
400100199	SB140 CS LOWER PROTECTOR	1

FREQUENTLY ASKED QUESTIONS (1 OF 2)

WHAT IS THE DIFFERENCE BETWEEN THE TURQ AND CARBON SERIES SB140?

TURQ Series bikes are manufactured with the highest quality and best-performing carbon fiber available and offer the perfect balance of stiffness, durability, and compliance. The result is a bike that feels smooth, solid and aggressive. Carbon series bikes use a modified carbon fiber layup of our TURQ Series bikes. By using different materials and tweaking the fiber layup, we are able to make a more aggressively priced carbon high-performance mountain bike while maintaining the strength and stiffness of its higher end sibling. The carbon series SB140 weighs a bit more, about 190g for a frame.

WHAT IS SWITCH INFINITY TECHNOLOGY AND HOW DOES IT WORK?

Switch Infinity utilizes a patented translating pivot that automatically switches direction as the bike moves through its travel. This provides excellent anti-squat characteristics for superior pedaling performance and ideal suspension characteristics as it gets deeper into the travel. Inside are a pair of greased bushings that slide up and down on two Kashima coated rails – it's not an extra shock that needs to be filled with air. Just keep it greased and wiped clean per our maintenance recommendations below.

DOES THE SWITCH INFINITY SYSTEM REQUIRE MAINTENANCE?

The fully sealed Switch Infinity mechanism has external grease ports to lube the bushings and seals. Yeti and development partner Fox Racing Shox recommend a lubrication interval of 40 hrs of riding. It is important not to over lube the system and adhere to the recommended interval. It also doesn't hurt to wipe off any excess dust and dirt that may accumulate throughout the week. Any maintenance supplies you need can be found on our webstore or at your local dealer.

For detailed maintenance information, please visit <https://www.ridefox.com/fox17/help.php?m=bike&id=465>

CAN I REPLACE OR MODIFY ANY YETI FRAME PARTS ON MY SB140?

All replacement frame parts for your SB140 can be found through your local dealer or on our webstore. Only genuine Yeti parts should be used when replacing any parts on your frame. We know there are a lot of aftermarket products out there that seem legit but we do not have the ability to qualify and ensure all of these products are safe to use on our frames. If it is found that any frame part has been modified or replaced all warranties will be voided and all liability will be assumed by the customer.

CAN I CHANGE OR UPGRADE THE SPEC COMPONENTS ON MY SB140?

There are many options in aftermarket parts to upgrade or personalize your bike. Some parts are standardized, especially from the big brands like Fox, Shimano, SRAM etc. You should always confirm with a professional mechanic that your parts are the correct standard and correctly and securely mount to your bike without any interference or play. Pay special attention to all the bikes standards and check the fit before use

CAN I USE AN ANGLESET ON THE SB140?

The SB140 was designed with an integrated headset which has the headset cups molded into the frame so you can easily drop the bearings into the cups. There are some aftermarket angle-sets available for this style headset however the frame was not tested for the use of these and therefore should not be used. Yeti's warranty will be voided if it is found an angleset was installed on the frame and all liability will be assumed by the customer. See "What travel fork is the SB140 designed to use" for more information.

WHAT TRAVEL FORK IS THE SB140 DESIGNED TO USE?

The SB140 is designed to run a 150 mm or 160mm travel fork. We tested this frame to 20mm over the spec fork. So if you're feeling the need to beef up the fork you can run up to a 180mm fork no problem. Bottom line - max axle to crown measurement of 577mm. Increasing your fork travel will slacken the head angle and seat tube angle and raise the bottom bracket. Running a shorter fork is fine too if that suits you. Shortening the fork will steepen the head angle and seat tube angle and lower the bottom bracket. For more geometry information, check out the geometry section.

HOW BIG OF A TIRE CAN I FIT ON THE SB140?

The short answer is the SB140 can accept up to a 2.6" tire. There is great tire clearance on the SB140 but tire sizes vary widely by manufacturers, so it is hard to give a number that works for all brands.

CAN I FIT A WATER BOTTLE INSIDE THE FRONT TRIANGLE?

Yes, we designed the SB140 to accommodate a standard sized water bottle inside the front triangle with a piggy-back shock. We recommend using a side-entry cage for easiest access.

WHAT CRANKS AND BOTTOM BRACKET CAN I USE ON THE SB140?

The SB140 bottom-bracket standard is PF92 [92mm] and only wide "q" factor cranks are compatible. It is readily compatible with Shimano, SRAM, and RaceFace cranks, but a fit check is required for other brands.

WHAT REAR WHEEL AXLE FITS ON MY SB140?

The SB140 is designed to work exclusively with a Yeti or Shimano 148mm X 12mm E-Thru rear axle. The frame's rear triangle has been optimized for stiffness and weight with these specific axles.

WHAT TYPE OF HEADSET DOES THE SB140 USE?

The SB140 uses an Integrated 41mm/52mm tapered headset. This system allows for the headset bearings to be contained inside the head tube for an overall lower ride height, more simplified installation, and increased stiffness.

FREQUENTLY ASKED QUESTIONS (2 OF 2)

HOW BIG OF A ROTOR WILL FIT ON THE FRAME?

The SB140 has a direct mount rear brake tab and can run a 180mm rotor without the need for a brake adaptor. With the use of a brake adaptor the frame can accept up to a 203mm rotor.

CAN I RUN A STEALTH SEATPOST DROPPER ON THE SB140?

Yes. The SB140 has routing options for stealth only.

WHAT CHAINLINE WAS THE SB140 DESIGNED AROUND?

The SB140 was designed around a Boost chainline. Depending on the crank and chain ring configuration you can run other chainlines but you will have to do a clearance check first.

WHAT IS THE MAX SIZE SINGLE-CHAINRING THAT FITS ON THE SB140?

Without getting too technical, the max chainring size depends on the crank chainline and the chainring shape.

Shimano / SRAM Boost cranks: 34t round / 32t oval
RaceFace / 52mm chainline Cranks: 34t round / 32t oval
Minimum Chainring Size: 28t round / 30t oval

Confused? Ask your local dealer or call us 303.278.6909.

DOES THE SB140 HAVE ISCG MOUNTS?

Yes. The SB140 has integrated ISCG '05 mounts. It is designed to work best with low-profile modern guides; depending on the brand, some older models with larger upper guides may not fit. We always recommend performing a fit-check with a specific chainguide to confirm compatibility.

WHAT TYPE OF SHOCK DOES THE SB140 USE?

The SB140 uses a 210 x 55mm shock. Depending on the shock model, it can be locked out but we recommend running it fully open for the best compliance and traction.

WHAT TYPE OF SHOCK HARDWARE DOES THE SB140 USE?

The SB140 uses M8x36mm hardware on the reservoir side and a custom Yeti reducer on the shaft side. If you swap between shocks, the reducer can be found here, <https://www.yeticycles.com/gear/parts/shock-eyelet-spacer>

CAN I PUT A COIL SHOCK ON MY SB140?

Yes, the SB140 is designed to be compatible with both air and coil-sprung shocks.

WHAT PERCENTAGE SAG DO YOU RECOMMEND FOR THE SB140?

We would advise starting with 30% sag, or 16.5mm of shock stroke for optimal pedaling efficiency and terrain compliance. Be sure to set your sag at your normal riding weight, gear included. Feel free to venture slightly above or below 30% to suit your personal preference.

Visit our shock set up page to help set up your suspension,
<https://shocksetup.yeticycles.com/calculator>

WHAT SIZE SEAT POST DOES THE SB140 USE?

The SB140 uses a 31.6mm seat post.

WHAT SIZE SEAT COLLAR DOES THE SB140 USE?

The SB140 uses a 36.4mm seat collar.

WHAT IS THE WARRANTY ON MY SB140?

The SB140 has a LIFETIME manufacturer's warranty.

WHAT IS THE LONGEST TRAVEL DROPPER POST I CAN RUN ON THE SB140?

This is mostly defined by your inseam. You can run any travel as long as you are above the minimum insert mark and you are not so low your tire rubs on your saddle or your dropper bottoms out in the frame. Your local Yeti dealer can help you sort this out. We run 125mm drop on XS-SM frames, 150mm drop on MD and a 200mm drop on LG-XL.

CAN I CONVERT THIS BIKE INTO A "MULLET" BIKE AND PUT A 27.5" WHEEL ON REAR OF THE SB140?

Yes but it does change the GEO quite a bit. Headtube angle and seat tube angle gets slacker and the bottom bracket gets higher. Some people will like these changes and some won't but that is up to you to decide.

LIFETIME WARRANTY

HERE'S EVERYTHING YOU NEED TO KNOW ABOUT OUR LIFETIME WARRANTY:

All 2019 (or newer) frames, including the Switch Infinity, are covered for life against damage due to manufacturing defects for the original purchaser. Paint and finish are covered for 1-year. We will repair or replace, at our discretion, any frame we deem defective. There are a few conditions: you must register it online at yeticycles.com and you must take it to an authorized Yeti Cycles dealer for processing. Warranty does not cover damage due to ordinary wear and tear, neglect or intentional destruction. From a slingshot or your truck.

If you happen to have a crash or non-warranty situation, we'll get you back on the trail with a reasonable replacement price. Same conditions as above.

Lifetime Warranty applies to all 2019 and newer frames (including the SB100). Model year 2018 and older frames will be covered under our previous warranty (5-year or 2-year based on time of purchase).

Simple as that. No fine print.

DISCLAIMER

Yeti Cycles is not responsible for any damages to you or others arising from riding, transporting or other use of your bicycle. In the event that your frame breaks or malfunctions, YETI Cycles shall have no liability or obligation beyond the repair or replacement of your frame pursuant to the terms outlined in the warranty.

*If you have a warranty concern, please contact your authorized Yeti Cycles dealer.

YETI CYCLES

621 Corporate Circle, Unit
B Golden, CO 80401
(p) 303-278-6909
(f) 303-278-6906
yeticycles.com

BUSINESS HOURS

Monday-Friday
8AM-11:30AM (MST)
1:00PM-5:30PM (MST)