

**RIDE
DRIVEN
YETI SINCE 85
CYCLES**

YETICYCLES.COM

**RIDE
DRIVEN
YETI SINCE 85
CYCLES**

2011 DJ OWNER'S MANUAL

Table of Contents

Brand Overview	6
Frame Features	8
Geometry	10
Maintenance Schedule	12
Bike Setup	
– Cable Setup	14
– Dropout Adjustment	16
Warranty	18
Contact Information	19

Overview

Congratulations on your purchase of a new Yeti bicycle. We are confident your new bicycle will exceed your expectations for value, performance and ride quality. Each frameset and component has been custom specified and designed to enhance your riding experience. Whether you are a beginner cyclist or a seasoned-pro, Yeti bicycles will provide endless hours of two-wheeled fun.

GENERAL INFORMATION

This model-specific manual is designed to be used in conjunction with the general Yeti Owner's Manual and the manuals supplied by the suspension manufacturers. If you did not receive the Yeti Owner's Manual or the manual provided by the suspension manufacturer, download the materials off the Internet, or contact your dealer.

Bicycling can be a hazardous activity even under the best of circumstances. Proper maintenance of your bicycle is your responsibility and when done properly helps reduce the risk of injury and damage to your bicycle. This manual outlines basic setup and maintenance recommendations of your new Yeti. Because it is impossible to anticipate every situation or condition that may occur during the assembly, setup and maintenance of your bicycle, Yeti recommends that all service and repairs be

This manual contains many "Warnings" and "Cautions" concerning the consequences of failure to maintain or inspect your bicycle. The combination of the safety alert symbol and the word "Warning" indicates a potentially hazardous situation in which, if not avoided, could result in serious injury or death. The combination of the safety alert symbol and the word "Caution" indicates a potentially hazardous situation in which, if not avoided, may result in minor injuries or damage to your bicycle or a component of your bicycle. Be sure to read and understand all "Warnings" and "Cautions".



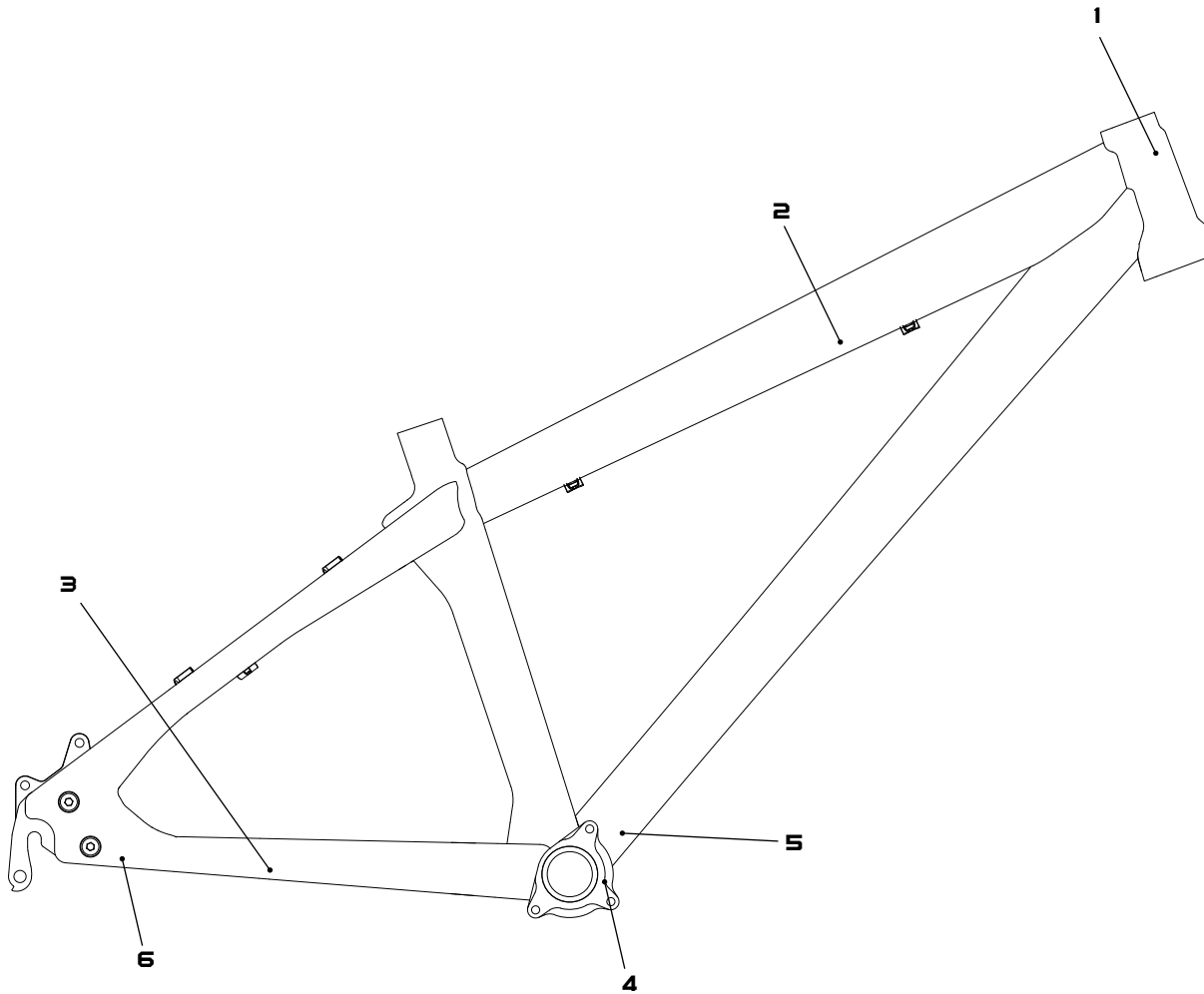
Warning: Make sure you review and understand the warnings, instructions and content of this manual and accompanying manuals for your bicycle.



Warning: Technological advances have made bicycles and bicycle components more complex and the pace of innovation is increasing. It is impossible for this manual or accompanying manuals to provide all the information required to properly repair and maintain your bicycle. In order to help minimize the chances of injury, it is critical for you to have work performed by an authorized Yeti dealer.

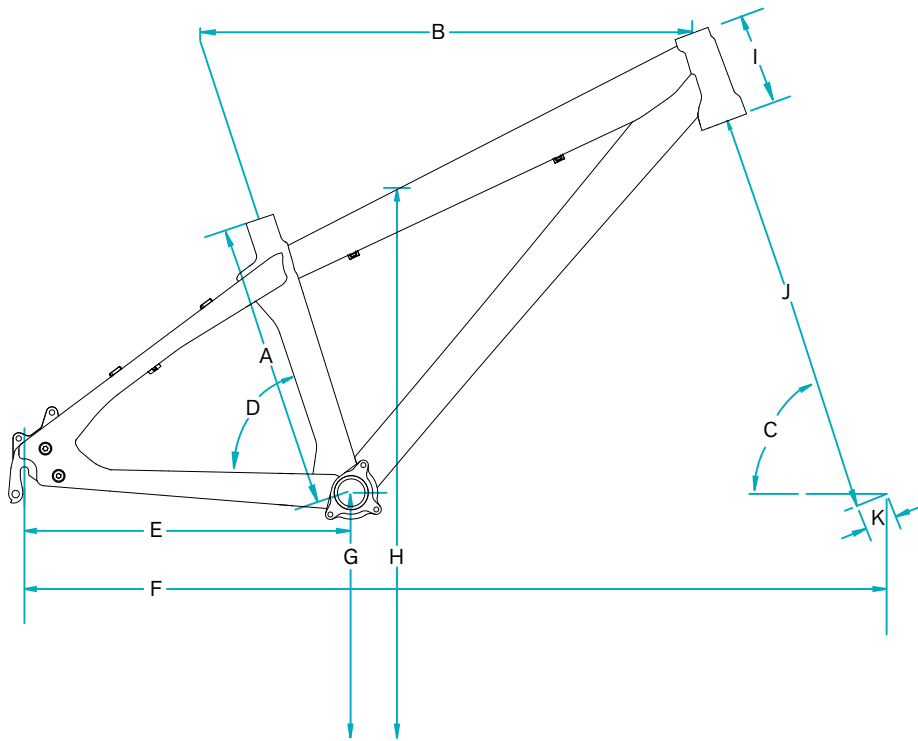


Frame Features



- HEADTUBE**
The DJ utilizes a tapered headtube for added stiffness with no weight penalty.
- TUBING**
Oversized custom hydroformed tube set with integrated yokes
- SQAURE LOOPSTAYS**
Singular square loopstays provides added stiffness and a sleek aesthetics. Accommodates a 2.5" tire.
- BOTTOM BRACKET**
73mm shell, for use with a 113mm spindle.
- ISCG '05 MOUNTS**
ISCG tabs are machined into the bottom bracket. This is far superior than flimsy welded tabs. These ISCG tabs allow a chain guide to be bolted directly to the frame, which eliminates the twist and shift of the guide.
- DROPOUTS**
Adjustable sliding dropouts that allow for 25mm of adjustment. Optional single-speed specific dropout

Geometry



GEOMETRY DJ

100 MM FORK

	SM	MD	LG
A	13.8	13.8	13.8
B	22.6	23.6	24.6
C	68.5	68.5	68.5
D	70.5	70.5	70.5
E	15.6-16.1	15.6-16.2	15.6-16.3
F	40.4-41.0	41.4-42.0	42.4-43.0
G	12.5	12.5	12.5
H	27.1	26.9	26.7
I	4.50	4.50	4.50
J	18.5	18.5	18.5
K	1.5	1.5	1.5

*All measurements are in inches.

Maintenance

MAINTENANCE Following these guidelines will help maintain the performance of your bicycle and prevent more serious problems from arising. It is important to remember that service intervals can vary depending on climate, trail conditions, and riding frequency.

ACTION	WEEKLY	MONTHLY	3 MONTHS	ANNUALLY
Clean and lube chain	x			
Check tire pressure	x			
Clean bike of mud and debris (never spray water directly into frame or components)	x			
Check brake function	x			
Check shock pressure, if applicable	x			
Check for loose bolts and tighten, if necessary	x			
Check headset and tighten / loosen, if necessary		x		
Thoroughly clean pivot points with a rag (do not lubricate)		x		
Replace brake pads, if necessary			x	
Check tires for wear			x	
Check spoke tension and retention, if necessary			x	
Check chain for worn, damaged, or loose links, replace chain if necessary			x	
Complete tune-up performed by an authorized Yeti dealer				x



MAINTENANCE? Not sure how to work on your own bike? Contact your authorized Yeti dealer or visit www.parktool.com and check out the repair help section. This section contains detailed instruction on many of the service items listed in the maintenance schedule.

TORQUE We have attached a brief list of torque specifications for bolts and components that may need to be tightened while performing basic maintenance. This is just a guide. For specific torque specifications, please contact the component manufacturer directly.

TORQUE SPECS

Pivot Bolts	125 - 150
Derailleur Hanger Bolts	30 - 45
Handlebar Binder Bolt	150 - 180
Stem Binder Bolt	175 - 260
Seatpost Binder Bolt	150 - 180
Saddle Clamp Bolts	175 - 250
Rear Derailleur	70 - 86
Front Derailleur Clamp	45 - 60
Chainring Bolts	88 - 132



Caution: The torque specifications listed should be used as a guide when performing maintenance. Technological advances have made bicycles and bicycle components more complex, and the pace of innovation is increasing. Because of these advances, Yeti recommends that you refer to the torque specifications of the manufacture's component you are adjusting. In order to help minimize the chances of injury, do not perform any maintenance that you are not confident can be completed within your abilities.

Cable Setup

The DJ has full cable housing. By using full cable housing, we have eliminated break points in the line of your shifter housing. This allows riders to experience better overall shifting performance by reducing the entrance of unwanted elements such as sweat and sediment. Use of full cable housing helps prevent corrosion from the elements and keeps the shifting smoother for a longer period of time.

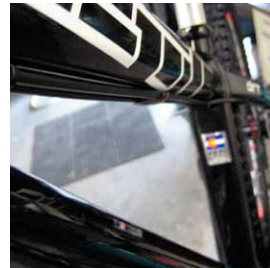
Caution: The failure to properly route shifter housing can cause malfunction of the shift mechanism and unexpected shifting of gears.

1 REAR DERAILLEUR Fit the housing from the rear shifter along the head tube and through the bolt-on cable stops on the bottom of the top tube. There are three bolt-on stop groups on the bottom of the top tube to which the housing and brake line can be attached, each with two positions to secure housing. Fit the rear housing line along the top tube through these stops, using the position closest to the drive side.



Next route the housing around the outside of the seat tube on the drive side and down the drive side seatstay. Attach the housing using the two bolt-on cable stops on the top of the seatstay. Loop the housing into the derailleur to finish.

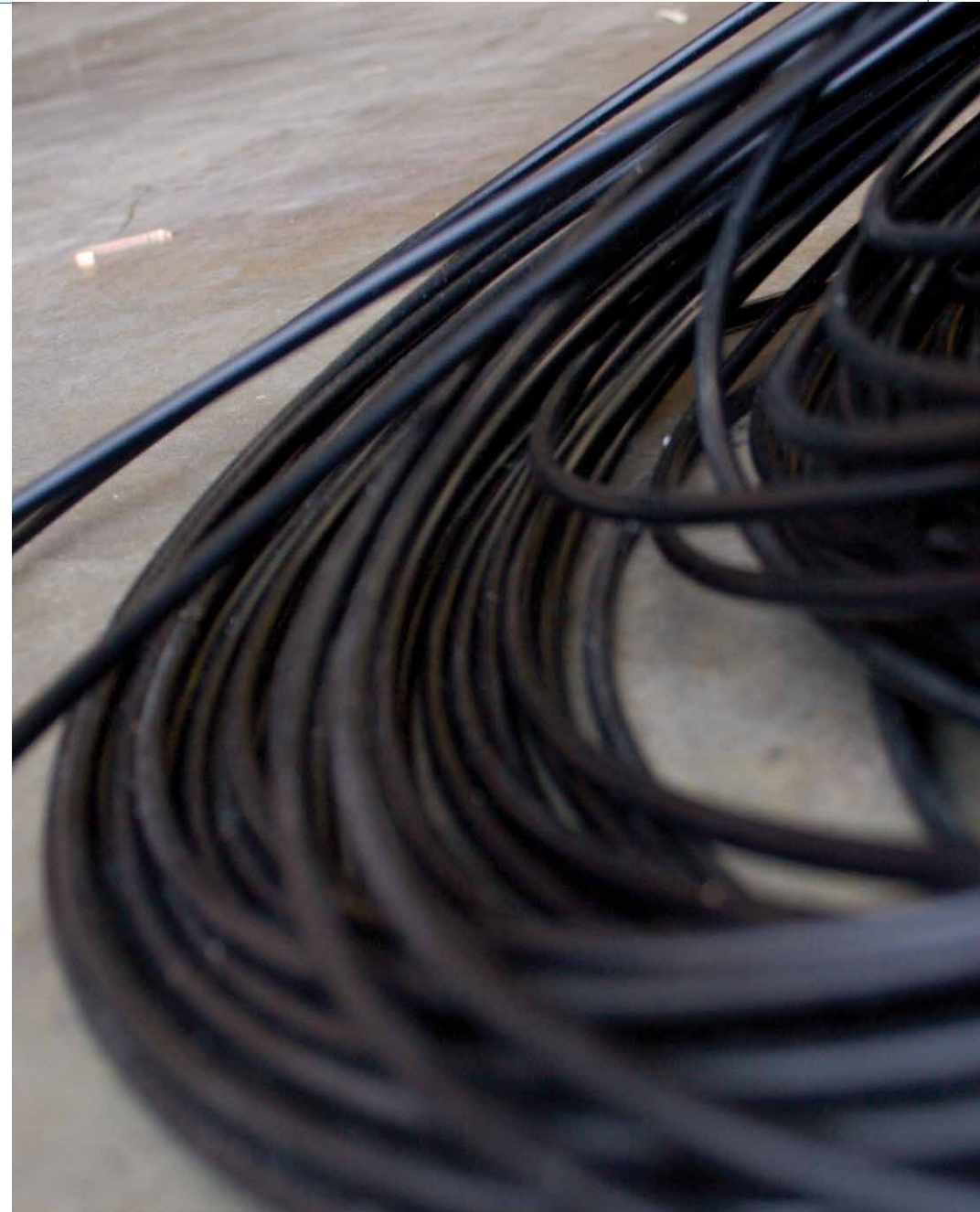
2 REAR BRAKE The rear brake line loops across the head tube and runs through the three bolt-on cable stops on the non drive side of the top tube. Use the position closest to the non-drive side on the cable guides for the rear brake line.



Next route the brake line around the seat tube and down the non drive side seatstay. Use the two bolt-on cable guides on the bottom of the seatstay to secure the line. Ensure the line is finished on the inside of the seatstay when attached to the caliper body. This will prevent the brake line from being compromised if the bike or rider falls.



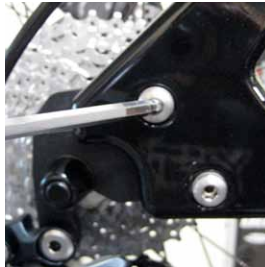
BOLT-ON CABLE GUIDES 2011 Yeti frames use bolt-on cable guides for routing brake and shift housing. The guides allow for clean cable routing and their two-piece design keeps the housing from contacting the frame and marring the finish.



Adjustable Dropouts

The 2010 DJ has adjustable dropouts that allow the chainstay length of the frame to be changed from 395mm to 410mm. This allows for a total change of 25mm. In addition the wheel can be moved/tensioned with out affecting the position of the disc brake.

1 DROPOUT ADJUSTMENT Loosen the four M8x22mm dropout bolts located at the chainstay and seatstay junction with a 5mm allen key.



2 DROPOUT ADJUSTMENT Loosen the two M6x34mm tension bolts located above the back of the chainstay on each side of the bike.



3 DROPOUT ADJUSTMENT Slide the dropouts to the desired chainstay length. Use the hash marks on the dropouts to ensure both dropouts are square and the rear wheel is centered in the frame.



4 DROPOUT ADJUSTMENT Tighten the two M6x34mm tension bolts on the frame with a 5mm allen key to achieve proper chain tension. Ensure both sides are tightened equally and the rear wheel stays centered in the frame.

Torque:10-15 in/LB



5 DROPOUT ADJUSTMENT Tighten the two M8x22mm dropout bolts on the drive side of the frame with a 5mm allen key. Repeat for the non-drive side.

Torque:70-75 in/LB



6 DROPOUT ADJUSTMENT Double check that the dropouts are square and the rear wheel is centered in the frame. Ensure that the dropout bolts are torqued to spec.

Tip: When assembling the DJ for the first time it will be helpful to set the chainstay to the desired length before measuring and cutting the chain. This will help ensure proper chain tension for the bicycle. When making a large adjustment of the chainstay length after the bicycle is fully assembled be aware that a change to the length of the chain may be necessary.



Warranty

YETI LIMITED (2) TWO YEAR FRAME WARRANTY (applies to 303 DH, 303 RDH, 25TH 303 DH, AS-R 7 > 160MM Fork, DH-9, AS-X, 4X, DJ, SX)

Yeti Cycles will repair or replace, at its option, any frame it determines to be defective materials and / or workmanship. The (2) two year limited warranty is conditioned upon the bicycle being ridden under normal conditions and having been properly maintained. This warranty does not apply to the components attached to the frameset such as suspension components, wheels, drive train, brakes, seatpost, handlebar and stem. This warranty applies only to the original owner and is non-transferable. This warranty is void if the bicycle was not properly assembled by an authorized Yeti dealer.

YETI LIMITED (5) FIVE YEAR FRAME WARRANTY (applies to AS-R 5 Carbon, AS-R 5 Alloy, AS-R Carbon, AS-R Alloy, AS-R-sllc), AS-R, AS-R 7 w/160MM Fork, 575, ARC, ARC-X, Big Top 29'R, FRO, Kokopelli)

Yeti Cycles will repair or replace, at its option, any frame it determines to be defective materials and / or workmanship. The (5) five year limited warranty is conditioned upon the bicycle being ridden under normal conditions and having been properly maintained. This warranty does not apply to the components attached to the frameset such as suspension components, wheels, drive train, brakes, seatpost, handlebar and stem. This warranty applies only to the original owner and is non-transferable. This warranty is void if the bicycle was not properly assembled by an authorized Yeti dealer.

ADDITIONAL CONDITIONS

These limited warranties do not apply to normal wear and tear, nor to claimed defects, malfunction or failures that result from abuse, neglect, improper assembly, improper maintenance, alteration, collision, crash or misuse. The original owner shall pay all labor charges connected with the repair or removal of all components. Under no circumstances does this limited warranty include of the cost of travel or shipment to and from an authorized Yeti dealer. In order to exercise your rights under these limited warranties, the bicycle or frameset must be presented to an authorized Yeti dealer, together with proof of purchase.

- The above warranties have been in effect since January 2000. All Yeti frames sold prior to that date had a limited (1) one year warranty on the frameset.
- No Fault Replacement Policy
- Yeti Cycles will make replacement parts available at a minimum charge to the original owner in the event of a crash or any other non-warranty situation. Yeti Cycles does this at its sole discretion and reserves the right to refuse this offer.
- If you have a warranty concern, please contact your authorized Yeti dealer.

NO FAULT REPLACEMENT POLICY

Yeti Cycles will make replacement parts available at a minimum charge to the original owner in the event of a crash or any other non-warranty situation. Yeti Cycles does this at its sole discretion and reserve the right to refuse this offer. If you have a warranty concern, please contact you authorized Yeti dealer.

PRODUCT LIFE CYCLE

Every Yeti frameset has a useful product life cycle. The length of that useful product life cycle will vary depending on the construction and materials of the frameset, maintenance and care the frameset receives, and the amount and type of use the frameset is subjected to over its life. Yeti recommends that an authorized Yeti dealer should inspect the frame for stress annually. Frame stress could cause potential failure and the signs are usually apparent in the form of cracks, fracture lines, deformation, dents and other visual indicators of abnormality. These safety checks for frame stress are important to prevent accidents, injury to the cyclist

and product failure of a Yeti frameset.

DISCLAIMER

Yeti Cycles is not responsible for any damages to you or others arising from riding, transporting or other use of your bicycle. In the event that your frame breaks or malfunctions, Yeti Cycles shall have no liability or obligation beyond the repair or replacement of your frame pursuant to the terms outline in this warranty.

CONTACT INFO

Yeti Cycles
600 Corporate Circle, Unit D
Golden, CO 80401
(p) 303-278-6909
(f) 303-278-6906
WWW.YETICYCLES.COM

BUSINESS HOURS

Monday-Friday
8AM-11:30AM, 1:00PM-5:30PM
(Mountain Time)