



OWNER'S MANUAL 2012 YETI ARC

YETI CYCLES

600 Corporate Circle, Unit D
Golden, CO 80401
888.576.9384

www.yeticycles.com



TABLE OF CONTENTS

BRAND OVERVIEW	06
FRAME FEATURES	08
GEOMETRY	10
MAINTENANCE SCHEDULE	12
<i>SETUP</i>	
CABLE SETUP	14
<i>LEGAL</i>	
WARRANTY	16
CONTACT INFORMATION	17

CONGRATULATIONS ON YOUR PURCHASE OF A NEW YETI.

We are confident your new bicycle will exceed your expectations for value, performance, and ride quality. Each frameset and component has been custom specified and designed to enhance your riding experience. Whether you are a beginner cyclist, or a seasoned pro, your Yeti bicycle will provide endless hours of two-wheeled fun.

This model specific manual is designed to be used in conjunction with the general Yeti Owner's Manual and the manuals supplied by the suspension manufactures. If you did not receive the Yeti owner's manual or the manual provided by the suspension manufacturer download the materials off the Internet, or contact your local dealer.

Bicycling can be a hazardous activity even under the best of circumstances. Proper maintenance of your bicycle is your responsibility and when done properly helps reduce the risk of injury and damage to your bicycle.

Warning: Make sure you review and understand the warnings, instructions, and content of this manual and accompanying manuals for your bicycle.

Warning: Technological advances have made bicycles and bicycle components more complex and the pace of innovation is increasing. It is impossible for this manual or the accompanying manuals to provide all the information required to properly repair and/or maintain your bicycle. In order to help minimize the chances of an injury, it is critical for you to have work performed by an authorized Yeti retailer.

This manual outlines basic setup and maintenance recommendations of your new Yeti. Because it is impossible to anticipate every situation or condition that may occur during the assembly, setup, and maintenance of your bicycle, Yeti recommends that all service and repairs be performed by your local authorized Yeti Dealer.

This manual contains many "Warnings" and "Cautions" concerning the consequences of failure to maintain or inspect your bicycle. The word "Warning" indicates a potentially hazardous situation in which, if not avoided, could result in serious injury or death. The word "Caution" indicates a potentially hazardous situation in which, if not avoided may result in minor injuries or damage to your bicycle or a component of your bicycle. Be sure to read and understand all of the Warnings and Cautions listed in the manual.

IF ONE BIKE EPITOMIZES “BACK IN THE DAY” IT IS THE YETI ARC.

1. PURE TUBING

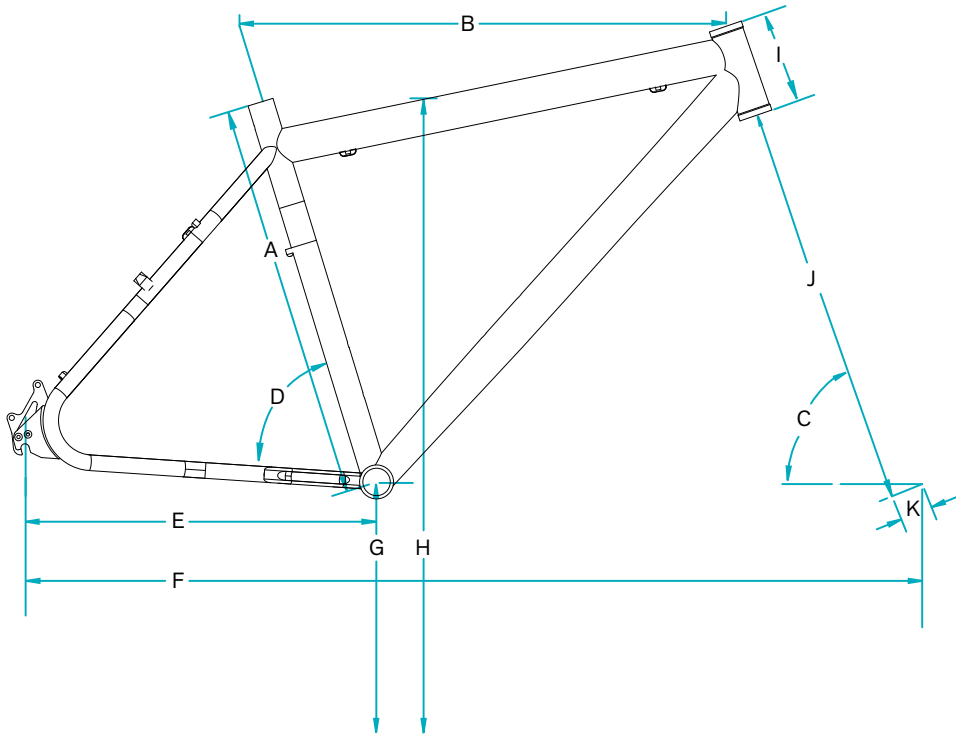
2. 73 MM BOTTOM BRACKET SHELL

3. TRADEMARK YETI LOOPSTAYS

4. ULTIMATE RACING GEOMETRY

1. Yeti pure tubing is custom butted and tapered 7005 aluminum. This makes the frame lightweight and strong without the use of gussets. The unique shape provides added strength at the head tube junctions.
2. The ARC features a 73mm bottom bracket shell, for use with a 113mm spindle.
3. Circular loops stays provide a singular loop for the rear triangle providing added stiffness and a sleek aesthetic. The ARC accommodates up to a 2.35” tire.
4. Ultimate racing geometry- climbing prowess, agile in the corners, and stable on the descents.

GEOMETRY



100 MM FORK

	XS	SM	MD	LG
A	15.5	17.5	19.0	20.5
B	21.0	22.4	23.4	24.4
C	71.0	71.0	71.0	71.0
D	73.0	73.0	73.0	73.0
E	16.9	16.9	16.9	16.9
F	40.0	41.2	42.2	43.2
G	11.5	11.5	11.5	11.5
H	27.5	29.4	30.2	31.4
I	4.0	4.0	4.5	5.3
J	18.5	18.5	18.5	18.5
K	1.5	1.5	1.5	1.5

**All measurements are in inches*

FIT

X-SMALL	5'0" (153 CM) - 5'3" (160 CM)
SMALL	5'3" (160 CM) - 5'7" (171 CM)
MEDIUM	5'7" (171 CM) - 6'0" (183 CM)
LARGE	6'0" (183 CM) - 6'5" (196 CM)

KEEP YOUR NEW YETI FRESH AND CLEAN

OVERVIEW

Following these guidelines will help maintain the performance of your bicycle and prevent more serious problems from arising. It is important to remember that service intervals can vary depending on climate, trail conditions and riding frequency. If you are unsure about working on your own bicycle, contact your authorized Yeti Dealer or visit the repair help section at www.parktool.com for more information on general bicycle maintenance.

SCHEDULE

	WEEKLY	MONTHLY	3 MONTHS	ANNUALLY
CLEAN AND LUBE CHAIN	■			
CHECK TIRE PRESSURE	■			
CLEAN BIKE OF MUD AND DEBRIS	■			
CHECK BRAKE FUNCTION	■			
CHECK SHOCK PRESSURE, IF APPLICABLE	■			
CHECK FOR LOOSE BOLTS AND TIGHTEN, IF NECESSARY	■			
CHECK HEADSET AND TIGHTEN / LOOSEN, IF NECESSARY		■		
THOROUGHLY CLEAN PIVOT POINTS WITH A RAG (DO NOT LUBRICATE)		■		
REPLACE BRAKE PADS, IF NECESSARY			■	
CHECK TIRES FOR WEAR			■	
CHECK SPOKE TENSION AND RETENTION, IF NECESSARY			■	
CHECK CHAIN FOR WEAR AND REPLACE IF NECESSARY			■	
COMPLETE TUNE-UP PERFORMED BY AN AUTHORIZED YETI DEALER				■

CABLE SETUP

YETI TIPS

In order to experience the best shifting performance possible it is imperative that the cable routing procedures outlined below are followed. As with any set-up issues or concerns, please contact your authorized Yeti dealer should you need assistance.

Caution: The failure to properly route shifter housing can cause malfunction of the shift mechanism and unexpected shifting of gears.



01. REAR DERAILLEUR

Fit a piece of housing from the rear shifter across the head tube and into the cable stops on the non-drive side of the top tube. There are two cable stops on the side of the top tube, each with two positions to secure housing. Fit the rear housing line into the first stop using the top position. The next piece of housing runs from the top position of the second cable stop group on the top tube, across the back of the seat tube, and into the single cable stop on the top of the drive side seatstay. The final piece of housing runs from the cable stop on the bottom of the drive side seatstay and loops into the derailleur to finish.



02. FRONT DERAILLEUR

Fit a piece of housing from the front shifter along the head tube and into the cable stops on the non-drive side of the top tube. There are two cable stops on the side of the top tube, each with two positions to secure housing. Fit the front derailleur housing line into the first stop using the bottom position. The final piece of housing runs from the bottom position of the second cable stop group on the top tube and into the single cable stop on the seat tube. The wire cable runs into the front derailleur to finish.



03. REAR BRAKE

The rear brake loops across the head tube and runs along the cable stops on the bottom of the down tube. The line continues around the outside of the seat tube, down the cable stops on the non-drive side seatstay, and into the caliper to finish.



WARRANTY

YETI LIMITED (1) ONE YEAR FRAME WARRANTY

(applies to 303 WC / 4X / DJ)

Yeti Cycles will repair or replace, at its option, any frame it determines to be defective due to defective materials and/or workmanship. The (1) one year limited warranty is conditioned upon the bicycle being ridden under normal conditions and having been properly maintained. This warranty does not apply to the components attached to the frameset such as suspension components, wheels, drive train, brakes, seatpost, handlebar and stem. This warranty applies only to the original owner and is non-transferable. This warranty is void if the bicycle was not properly assembled by an authorized Yeti dealer.

YETI LIMITED (2) TWO YEAR FRAME WARRANTY

(applies to AS-R 5C / AS-R 5A / AS-R Carbon / SB66-A / SB66-C / SB95 / 575 / ARC / Big Top 29'R)

Yeti Cycles will repair or replace, at its option, any frame it determines to be defective due to defective materials and/or workmanship. The (2) two year limited warranty is conditioned upon the bicycle being ridden under normal conditions and having been properly maintained. This warranty does not apply to the components attached to the frameset such as suspension components, wheels, drive train, brakes, seatpost, handlebar and stem. This warranty applies only to the original owner and is non-transferable. This warranty is void if the bicycle was not properly assembled by an authorized Yeti dealer.

ADDITIONAL CONDITIONS

These limited warranties do not apply to normal wear and tear, nor to claimed defects, malfunctions or failures that result from abuse, neglect, improper assembly, improper maintenance, alteration, collision, crash or misuse. The original owner shall pay all labor charges connected with the repair or removal of all components. Under no circumstance does this limited warranty include the cost of travel or shipment to and from an authorized Yeti dealer. In order to exercise your rights under these limited warranties, the bicycle or frameset must be presented to an authorized Yeti dealer, together with proof of purchase.

**The above warranties have been in effect since January 2012. For warranty information on Yeti frames sold prior to that date please consult your local authorized dealer.*

NO FAULT REPLACEMENT POLICY

Yeti Cycles will make replacement parts available at a minimum charge to the original owner in the event of a crash or any other non-warranty situation. Yeti Cycles does this at its sole discretion and reserves the right to refuse this offer.

PRODUCT LIFE CYCLE

Every YETI frameset has a useful product life cycle. The length of that useful product life cycle will vary depending on the construction and the materials of the frameset, maintenance and care the frameset receives, and the amount and type of use the frameset is subjected to over its life. YETI recommends that an authorized YETI dealer should inspect the frame for stress annually. Frame stress could cause potential failure and the signs are usually apparent in the form of cracks, fracture lines, deformation, dents, and any other visual indicators of abnormality. These safety checks for frame stress are important to prevent accidents, injury to the cyclist, and product failure of a YETI frameset.

DISCLAIMER

YETI Cycles is not responsible for any damages to you or others arising from riding, transporting or other use of your bicycle. In the event that your frame breaks or malfunctions, YETI Cycles shall have no liability or obligation beyond the repair or replacement of your frame pursuant to the terms outlined in the warranty.

**If you have a warranty concern, please contact your authorized Yeti dealer.*

YETI CYCLES

600 Corporate Circle, Unit D
Golden, CO 80401
(p) 303-278-6909
(f) 303-278-6906
www.yeticycles.com

BUSINESS HOURS

Monday-Friday
8AM-11:30AM, 1:00PM-5:30PM
(Mountain Time)